

# PARTS LIST

## CAUTION

- The parts identified by the  $\triangle$  symbol are important for the safety. Whenever replacing these parts, be sure to use specified ones to secure the safety.
- The parts not indicated in this Parts List and those which are filled with lines — in the Parts No. columns will not be supplied.
- P. W. Board Ass'y will not be supplied, but those which are filled with the Parts No. in the Parts No. columns will be supplied.

## ABBREVIATIONS OF RESISTORS, CAPACITORS AND TOLERANCES

RESISTORS		CAPACITORS	
C R	Carbon Resistor	C CAP.	Ceramic Capacitor
F R	Fusible Resistor	E CAP.	Electrolytic Capacitor
P R	Plate Resistor	M CAP.	Mylar Capacitor
V R	Variable Resistor	HV CAP.	High Voltage Capacitor
HV R	High Voltage Resistor	MF CAP.	Metalized Film Capacitor
MF R	Metal Film Resistor	MM CAP.	Metalized Mylar Capacitor
MG R	Metal Glazed Resistor	MP CAP.	Metalized Polystyrol Capacitor
MP R	Metal Plate Resistor	PP CAP.	Polypropylene Capacitor
OM R	Metal Oxide Film Resistor	PS CAP.	Polystyrol Capacitor
CMF R	Coating Metal Film Resistor	TF CAP.	Thin Film Capacitor
UNF R	Non-Flammable Resistor	MPP CAP.	Metalized Polypropylene Capacitor
CH V R	Chip Variable Resistor	TAN. CAP.	Tantalum Capacitor
CH MG R	Chip Metal Glazed Resistor	CH C CAP.	Chip Ceramic Capacitor
COMP. R	Composition Resistor	BP E CAP.	Bi-Polar Electrolytic Capacitor
LPTC R	Linear Positive Temperature Coefficient Resistor	CH AL E CAP.	Chip Aluminum Electrolytic Capacitor
		CH AL BP CAP.	Chip Aluminum Bi-Polar Capacitor
		CH TAN. E CAP.	Chip Tantalum Electrolytic Capacitor
		CH AL BP E CAP.	Chip Tantalum Bi-Polar Electrolytic Capacitor

TOLERANCES									
F	G	J	K	M	N	R	H	Z	P
±1%	±2%	±5%	±10%	±20%	±30%	+30% -10%	+50% -10%	+80% -20%	+100% -0%

# CONTENTS

## AV28WT5EPS / AV28WT5EIS / AV28WT5EKS

- USING PW BOARD & REMOTE CONTROL UNIT ..... 40
- REMOTE CONTROL UNIT PARTS LIST ..... 40
- EXPLODED VIEW PARTS LIST ..... 42
- EXPLODED VIEW ..... 42
- PRINTED WIRING BOARD PARTS LIST

### AV28WT5EPS / AV28WT5EIS

- MAIN PW BOARD ASS'Y ..... 44
- POWER & DEF. PW BOARD ASS'Y ..... 46
- CRT SOCKET PW BOARD ASS'Y ..... 48
- FRONT CONTROL PW BOARD ASS'Y ..... 48
- AV SEL. PW BOARD ASS'Y ..... 49

### AV-28WT5EKS

- MAIN PW BOARD ASS'Y ..... 51
- POWER & DEF. PW BOARD ASS'Y ..... 53
- CRT SOCKET PW BOARD ASS'Y ..... 53
- FRONT CONTROL PW BOARD ASS'Y ..... 53
- AV SEL. PW BOARD ASS'Y ..... 53

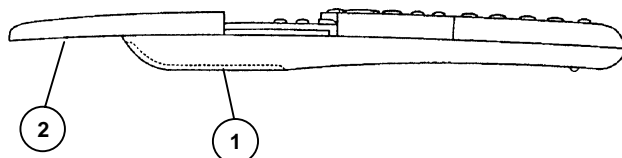
- PACKING ..... 55
- PACKING PARTS LIST ..... 55

## USING PW BOARD & REMOTE CONTROL UNIT

Model	AV28WT5EPS	AV28WT5EIS	AV28WT5EKS
<b>PWB ASS'Y</b>			
<b>MAIN PWB</b>	SJK-1712A-U2	←	SJK-1912A-U2
<b>POWER &amp; DEF. PWB</b>	SJK-2512A-U2	←	←
<b>CRT SOCKET PWB</b>	SJK-3512A-U2	←	←
<b>FRONT CONTROL PWB</b>	SJK-8512A-U2	←	←
<b>AV SEL. PWB</b>	SJK0S712A-U2	←	SJK0S912A-U2
<b>REMOTE CONTROL UNIT</b>	RM-C54-1C	RM-C55-1C	RM-C55-1C

## REMOTE CONTROL UNIT PARTS LIST

Ref.No.	Part No.	Part Name	Description
1	2AA030733	BATTERY COVER	
2	2AA030732	SLIDE COVER	(RM-C54-1C)
2	2AA030740	SLIDE COVER	(RM-C55-1C)



# CONTENTS

## AV24WT5EPS / AV24WT5EIS / AV24WT5EKS

- USING PW BOARD & REMOTE CONTROL UNIT ..... 41
- REMOTE CONTROL UNIT PARTS LIST ..... 41
- EXPLODED VIEW PARTS LIST ..... 56
- EXPLODED VIEW ..... 56
- PRINTED WIRING BOARD PARTS LIST

### AV24WT5EPS / AV24WT5EIS

- MAIN PW BOARD ASS'Y ..... 58
- POWER & DEF. PW BOARD ASS' Y ..... 60
- CRT SOCKET PW BOARD ASS'Y ..... 62
- FRONT CONTROL PW BOARD ASS'Y ..... 62
- AV SEL. PW BOARD ASS'Y ..... 63

### AV24WT5EKS

- MAIN PW BOARD ASS'Y ..... 65
- POWER & DEF. PW BOARD ASS' Y ..... 67
- CRT SOCKET PW BOARD ASS'Y ..... 67
- FRONT CONTROL PW BOARD ASS'Y ..... 67
- AV SEL. PW BOARD ASS'Y ..... 67

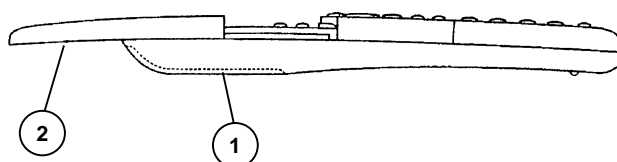
- PACKING ..... 69
- PACKING PARTS LIST ..... 69

## USING PW BOARD & REMOTE CONTROL UNIT

Model	AV24WT5EPS	AV24WT5EIS	AV24WT5EKS
PWB ASS'Y			
MAIN PWB	SJK-1713A-U2	←	SJK-1913A-U2
POWER & DEF. PWB	SJK-2513A-U2	←	←
CRT SOCKET PWB	SJK-3513A-U2	←	←
FRONT CONTROL PWB	SJK-8513A-U2	←	←
AV SEL. PWB	SJK0S713A-U2	←	SJK0S913A-U2
REMOTE CONTROL UNIT	RM-C54-1C	RM-C55-1C	RM-C55-1C

## REMOTE CONTROL UNIT PARTS LIST

Ref.No.	Part No.	Part Name	Description
1	2AA030733	BATTERY COVER	
2	2AA030732	SLIDE COVER	(RM-C54-1C)
2	2AA030740	SLIDE COVER	(RM-C55-1C)

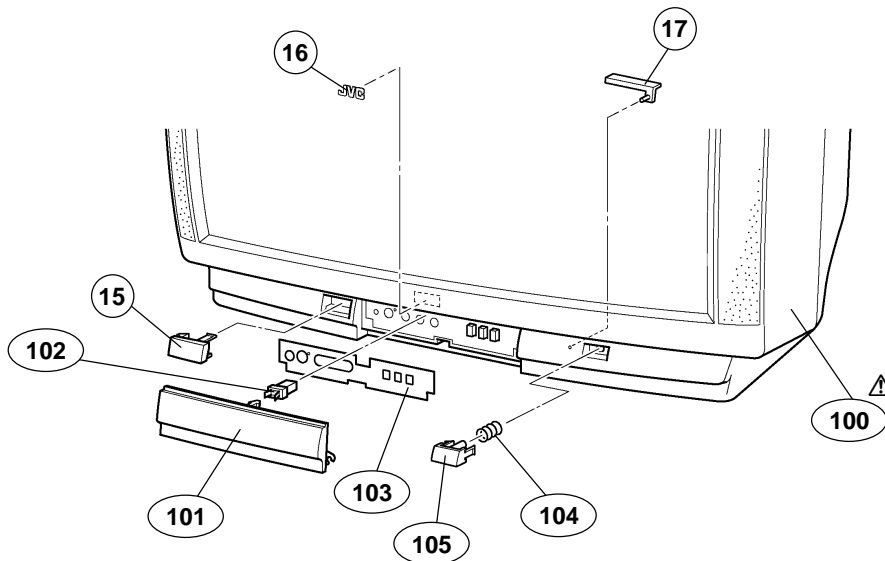


## AV28WT5EPS / AV28WT5EIS / AV28WT5EKS

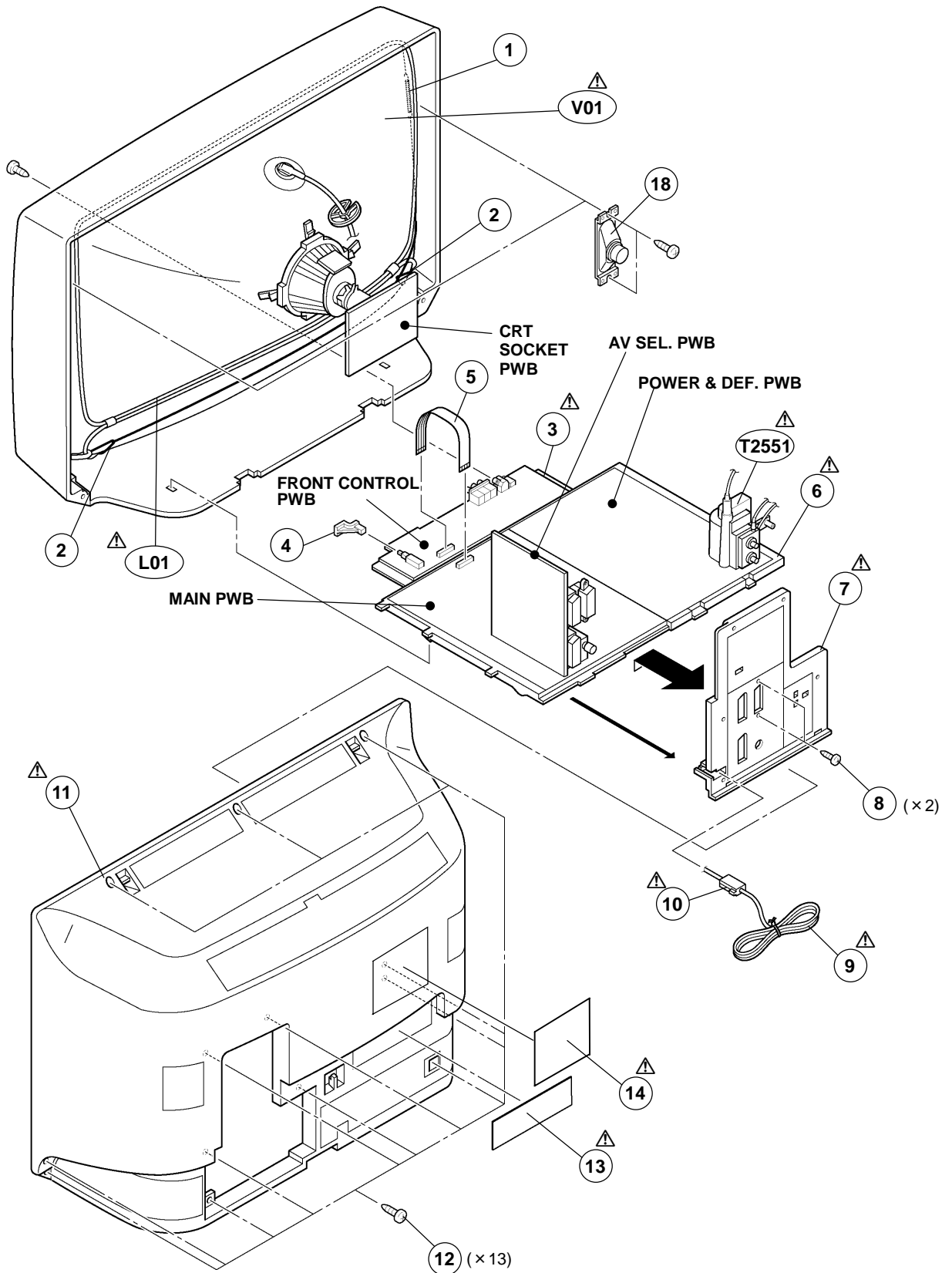
### EXPLODED VIEW PARTS LIST

△ Ref.No.	Part No.	Part Name	Description
△ V01	W660BD240X03	PICTURE TUBE	Inc.DY,PC MAGNET,WEDGE
△ L01	QQW0102-001	DEG COIL	
△ T2551	QQH0093-001	FB TRANSF.	
1	CHGB0029-0E-N	BRAIDED ASSY	
2	CHGB0017-0A-N	BRAIDED SUB ASSY	
△ 3	CM12931-A01-E	CONTROL BASE	
4	CM36311-001	KNOB CAP	
5	CHFD119-06BD	FFC WIRE	
△ 6	LC11019-001B-U	CHASSIS BASE	
△ 7	LC11020-001C-U	AV BOARD	
8	QYSB5B3012M	TAPPING SCREW	(×2)
△ 9	QMPK160-185-JC	POWER CORD	(CN-PW) [AV28WT5EPS]
△ 9	QMPN130-185-JC	POWER CORD	(CN-PW) [AV28WT5EIS] [AV28WT5EKS]
△ 10	CM46618-A01-E	POWER CORD CLAMP	
△ 11	CM12582-A05-E	REAR COVER	
12	QYSB5AG4016N	TAPPING SCREW	(×13)
△ 13	LC20433-008A-U	RATING LABEL	[AV28WT5EPS]
△ 14	LC20434-008A-U	RATING LABEL	[AV28WT5EPS]
△ 14	LC20080-015A-U	RATING LABEL	[AV28WT5EIS]
△ 14	LC20091-023A-U	RATING LABEL	[AV28WT5EKS]
15	CM48076-A01	CDS WINDOW	
16	CM48125-010	JVC MARK	
17	CM36223-A01	LED LENS	
18	QAS0043-001	SPEAKER	(×2) SP01, SP02
△ 100	CM12677-00Y-E	F. CABINET ASSY	Inc.No.101~105
101	CM22898-020-E	DOOR	(SERVICE)
102	CM48229-00A-C	DOOR LATCH	
103	CM36224-020-E	OPERATION SHEET	
104	AEM3149-001-E	SPRING	
105	CM36225-014-E	POWER KNOB	(SERVICE)

### EXPLODED VIEW



**AV28WT5EPS / AV28WT5EIS / AV28WT5EKS**



# AV28WT5EPS / AV28WT5EIS

## PRINTED WIRING BOARD PARTS LIST

### ■ MAIN P.W. BOARD ASS'Y (SJK-1712A-U2)

△ Symbol No. Part No. Part Name Description

#### RESISTOR

R1001	NRSA02J-102X	MG R	1kΩ 1/10W J
R1002-03	NRSA02J-0R0X	MG R	0.0Ω 1/10W J
R1004-06	NRSA02J-102X	MG R	1kΩ 1/10W J
R1007	NRSA02J-104X	MG R	100kΩ 1/10W J
R1008	NRSA02J-0R0X	MG R	0.0Ω 1/10W J
R1009-10	NRSA02J-104X	MG R	100kΩ 1/10W J
R1304	QRG01GJ-121	OM R	120Ω 1W J
R1305	NRSA02J-562X	MG R	5.6kΩ 1/10W J
R1306	NRSA02J-222X	MG R	2.2kΩ 1/10W J
R1307	NRSA02J-102X	MG R	1kΩ 1/10W J
R1308	NRSA02J-471X	MG R	470Ω 1/10W J
R1309	NRSA02J-222X	MG R	2.2kΩ 1/10W J
R1310-11	NRSA02J-391X	MG R	390Ω 1/10W J
R1312-13	NRSA02J-101X	MG R	100Ω 1/10W J
R1314	NRSA02J-562X	MG R	5.6kΩ 1/10W J
R1316	NRSA02J-224X	MG R	220kΩ 1/10W J
R1317	NRSA02J-101X	MG R	100Ω 1/10W J
R1318-21	NRSA02J-102X	MG R	1kΩ 1/10W J
R1327	NRSA02J-471X	MG R	470Ω 1/10W J
R1328-29	NRSA02J-102X	MG R	1kΩ 1/10W J
R1330	NRSA02J-472X	MG R	4.7kΩ 1/10W J
R1331	NRSA02J-333X	MG R	33kΩ 1/10W J
R1332-33	NRSA02J-222X	MG R	2.2kΩ 1/10W J
R1335	NRSA02J-273X	MG R	27kΩ 1/10W J
R1340-41	NRSA02J-333X	MG R	33kΩ 1/10W J
R1342	NRSA02J-152X	MG R	1.5kΩ 1/10W J
R1343	NRSA02J-272X	MG R	2.7kΩ 1/10W J
R1344	NRSA02J-471X	MG R	470Ω 1/10W J
R1345	NRSA02J-102X	MG R	1kΩ 1/10W J
R1346	NRSA02J-223X	MG R	22kΩ 1/10W J
R1401-02	NRSA02J-103X	MG R	10kΩ 1/10W J
R1403	NRSA02J-102X	MG R	1kΩ 1/10W J
R1404	NRSA02J-183X	MG R	18kΩ 1/10W J
R1405	NRSA02J-223X	MG R	22kΩ 1/10W J
R1409	NRSA02J-0R0X	MG R	0.0Ω 1/10W J
R1411	NRVA02D-473X	MF R	47kΩ 1/10W D
R1413	NRVA02D-223X	MF R	22kΩ 1/10W D
R1414	NRVA02D-101X	MF R	100Ω 1/10W D
R1415	NRSA02J-562X	MG R	5.6kΩ 1/10W J
R1416	NRSA02J-101X	MG R	100Ω 1/10W J
R1417	NRSA02J-223X	MG R	22kΩ 1/10W J
R1418	NRSA02J-682X	MG R	6.8kΩ 1/10W J
R1419	NRSA02J-562X	MG R	5.6kΩ 1/10W J
R1420	NRSA02J-183X	MG R	18kΩ 1/10W J
R1501	NRSA02J-621X	MG R	620Ω 1/10W J
R1502	NRSA02J-103X	MG R	10kΩ 1/10W J
R1503	NRSA02J-104X	MG R	100kΩ 1/10W J
R1504	NRSA02J-822X	MG R	8.2kΩ 1/10W J
R1505-06	NRSA02J-221X	MG R	220Ω 1/10W J
R1507	NRSA02J-102X	MG R	1kΩ 1/10W J
R1508-09	NRSA02J-223X	MG R	22kΩ 1/10W J
R1511	NRSA02J-0R0X	MG R	0.0Ω 1/10W J
R1514	NRSA02J-472X	MG R	4.7kΩ 1/10W J
R1516	NRSA02J-222X	MG R	2.2kΩ 1/10W J
R1517	NRSA02J-472X	MG R	4.7kΩ 1/10W J
R1518	NRSA02J-682X	MG R	6.8kΩ 1/10W J
R1519	NRSA02J-562X	MG R	5.6kΩ 1/10W J
R1520	NRSA02J-152X	MG R	1.5kΩ 1/10W J
R1571	NRSA02J-101X	MG R	100Ω 1/10W J
R1572	NRSA02J-133X	MG R	13kΩ 1/10W J
R1573	NRSA02J-821X	MG R	820Ω 1/10W J
R1608-09	NRSA02J-822X	MG R	8.2kΩ 1/10W J
R1610-11	NRSA02J-103X	MG R	10kΩ 1/10W J
R1633	NRSA02J-273X	MG R	27kΩ 1/10W J
R1635	NRSA02J-561X	MG R	560Ω 1/10W J
R1638	NRSA02J-473X	MG R	47kΩ 1/10W J
R1639	NRSA02J-103X	MG R	10kΩ 1/10W J
R1642	QRK126J-4R7X	C R	4.7Ω 1/2W J

△ Symbol No. Part No. Part Name Description

#### RESISTOR

R1644	NRSA02J-561X	MG R	560Ω 1/10W J
R1645	QRK126J-4R7X	C R	4.7Ω 1/2W J
R1648	NRSA02J-104X	MG R	100kΩ 1/10W J
R1690	QRG01GJ-270	OM R	27Ω 1W J
R1701	NRSA02J-221X	MG R	220Ω 1/10W J
R1703	NRSA02J-273X	MG R	27kΩ 1/10W J
R1704	NRSA02J-473X	MG R	47kΩ 1/10W J
R1705	NRSA02J-102X	MG R	1kΩ 1/10W J
R1706	NRSA02J-223X	MG R	22kΩ 1/10W J
R1707-10	NRSA02J-103X	MG R	10kΩ 1/10W J
R1713-14	NRSA02J-102X	MG R	1kΩ 1/10W J
R1716	NRSA02J-102X	MG R	1kΩ 1/10W J
R1717	NRSA02J-104X	MG R	100kΩ 1/10W J
R1718-19	NRSA02J-682X	MG R	6.8kΩ 1/10W J
R1720	NRSA02J-472X	MG R	4.7kΩ 1/10W J
R1722	NRSA02J-472X	MG R	4.7kΩ 1/10W J
R1724-25	NRSA02J-472X	MG R	4.7kΩ 1/10W J
R1727	NRSA02J-472X	MG R	4.7kΩ 1/10W J
R1729-31	NRSA02J-221X	MG R	220Ω 1/10W J
R1740	NRSA02J-331X	MG R	330Ω 1/10W J
R1743-44	NRSA02J-101X	MG R	100Ω 1/10W J
R1745	NRSA02J-472X	MG R	4.7kΩ 1/10W J
R1747	NRSA02J-472X	MG R	4.7kΩ 1/10W J
R1748-52	NRSA02J-221X	MG R	220Ω 1/10W J
R1753	NRSA02J-102X	MG R	1kΩ 1/10W J
R1755	NRSA02J-102X	MG R	1kΩ 1/10W J
R1756	NRSA02J-103X	MG R	10kΩ 1/10W J
R1759	NRSA02J-472X	MG R	4.7kΩ 1/10W J
R1763	NRSA02J-103X	MG R	10kΩ 1/10W J
R1764-66	NRSA02J-221X	MG R	220Ω 1/10W J
R1767	NRSA02J-103X	MG R	10kΩ 1/10W J
R1770	NRSA02J-272X	MG R	2.7kΩ 1/10W J
R1771-73	NRSA02J-222X	MG R	2.2kΩ 1/10W J
R1774-75	NRSA02J-333X	MG R	33kΩ 1/10W J
R1777-79	NRSA02J-222X	MG R	2.2kΩ 1/10W J
R1780	NRSA02J-102X	MG R	1kΩ 1/10W J
R1784-85	NRSA02J-223X	MG R	22kΩ 1/10W J
R1786	NRSA02J-473X	MG R	47kΩ 1/10W J
R1787	NRSA02J-332X	MG R	3.3kΩ 1/10W J
R1788	NRSA02J-272X	MG R	2.7kΩ 1/10W J
R1789	NRSA02J-473X	MG R	47kΩ 1/10W J
R1790	NRSA02J-682X	MG R	6.8kΩ 1/10W J
R1801	NRSA02J-333X	MG R	33kΩ 1/10W J
R1802	NRSA02J-222X	MG R	2.2kΩ 1/10W J
R1805	NRSA02J-332X	MG R	3.3kΩ 1/10W J
R1806	NRSA02J-184X	MG R	180kΩ 1/10W J
R1871	NRSA02J-102X	MG R	1kΩ 1/10W J
R1872-73	NRSA02J-222X	MG R	2.2kΩ 1/10W J
R1874	NRSA02J-272X	MG R	2.7kΩ 1/10W J
R1875	NRSA02J-104X	MG R	100kΩ 1/10W J
R1876	NRSA02J-102X	MG R	1kΩ 1/10W J
R1877	NRSA02J-393X	MG R	39kΩ 1/10W J
R1878-80	NRSA02J-152X	MG R	1.5kΩ 1/10W J
R1881-82	NRSA02J-331X	MG R	330Ω 1/10W J
R1883	NRSA02J-102X	MG R	1kΩ 1/10W J
R1884	NRSA02J-331X	MG R	330Ω 1/10W J
<b>CAPACITOR</b>			
C1001	NCB21HK-222X	C CAP.	2200pF 50V K
C1003	NCB21EK-104X	C CAP.	0.1μF 25V K
C1004	QETN1CH-108Z	E CAP.	1000μF 16V M
C1005	QETN1CH-107Z	E CAP.	100μF 16V M
C1006	QETN1HM-106Z	E CAP.	10μF 50V M
C1007	NCB21HK-104X	CHIP CAP.	0.1μF 50V K
C1008	QETN1HM-106Z	E CAP.	10μF 50V M
C1009	NCB21EK-104X	C CAP.	0.1μF 25V K
C1010	QETN1CH-107Z	E CAP.	100μF 16V M

△ Symbol No.	Part No.	Part Name	Description
<b>CAPACITOR</b>			
C1301	NCB21EK-104X	C CAP.	0.1μF 25V K
C1302	NCB21HK-823X	CHIP CAP.	0.082μF 50V K
C1303	QETN1EM-476Z	E CAP.	47μF 25V M
C1304	NCB21HK-103X	C CAP.	0.01μF 50V K
C1305	QETN1CM-107Z	E CAP.	100μF 16V M
C1306	NCB21HK-103X	C CAP.	0.01μF 50V K
C1307	QETN1CM-477Z	E CAP.	470μF 16V M
C1308	NDC21HJ-120X	C CAP.	12pF 50V J
C1309	QETN1HM-475Z	E CAP.	4.7μF 50V M
C1310	NCB21HK-103X	C CAP.	0.01μF 50V K
C1311	QETN1HM-106Z	E CAP.	10μF 50V M
C1312	NDC21HJ-680X	C CAP.	68pF 50V J
C1313	QETN1CM-107Z	E CAP.	100μF 16V M
C1314	NCB21HK-103X	C CAP.	0.01μF 50V K
C1315	QETN1HM-106Z	E CAP.	10μF 50V M
C1319	QETN1CM-107Z	E CAP.	100μF 16V M
C1320	NCB21HK-103X	C CAP.	0.01μF 50V K
C1321-23	NCB21EK-104X	C CAP.	0.1μF 25V K
C1324-26	QETN1HM-105Z	E CAP.	1μF 50V M
C1327	QETN1HM-475Z	E CAP.	4.7μF 50V M
C1328	QETN1CM-107Z	E CAP.	100μF 16V M
C1329	QETN1EM-476Z	E CAP.	47μF 25V M
C1330	NDC21HJ-390X	C CAP.	39pF 50V J
C1331	QETN1HM-105Z	E CAP.	1μF 50V M
C1332	NCB21HK-103X	C CAP.	0.01μF 50V K
C1333	NCB21EK-104X	C CAP.	0.1μF 25V K
C1401	QETN1HM-105Z	E CAP.	1μF 50V M
C1403-05	NCB21HK-103X	C CAP.	0.01μF 50V K
C1406	QFV71HJ-184Z	MF CAP.	0.18μF 50V J
C1407	QFV71HJ-824Z	MF CAP.	0.82μF 50V J
C1408	NCB21HK-153X	C CAP.	0.015μF 50V K
C1501	QETN1CM-107Z	E CAP.	100μF 16V M
C1502-04	NCB21HK-103X	C CAP.	0.01μF 50V K
C1505	NCB21HK-332X	C CAP.	330pF 50V K
C1506	QETN1HM-335Z	E CAP.	3.3μF 50V M
C1507	NCB21HK-103X	C CAP.	0.01μF 50V K
C1508	QETN1CM-108Z	E CAP.	1000μF 16V M
C1509	NCB21HK-823X	CHIP CAP.	0.082μF 50V K
C1510-11	NCB21HK-103X	C CAP.	0.01μF 50V K
C1512	QTMN1HM-105Z	E CAP.	0.1μF 50V M
C1513	QETN1CM-228	E CAP.	2200μF 16V M
C1514	NCB21HK-103X	C CAP.	0.01μF 50V K
C1515	QFV71HJ-394Z	MF CAP.	0.39μF 50V J
C1516	NCB21HK-103X	C CAP.	0.01μF 50V K
C1571	NCB21HK-103X	C CAP.	0.01μF 50V K
C1605	QETN1HM-106Z	E CAP.	10μF 50V M
C1606	QETN1EM-227Z	E CAP.	220μF 25V M
C1622-23	QETN1CM-227Z	E CAP.	220μF 16V M
C1624	QETN1EM-476Z	E CAP.	47μF 25V M
C1626	QENC1EM-107Z	BP E CAP.	100μF 25V M
C1627	QETN1EM-228	E CAP.	2200μF 25V M
C1629	QENC1EM-107Z	BP E CAP.	100μF 25V M
C1631	QETN1EM-476Z	E CAP.	47μF 25V M
C1632	NCS21HJ-221X	C CAP.	220pF 50V J
C1633-34	QFV71HJ-104Z	MF CAP.	0.1μF 50V J
C1635-36	QETN1EM-108Z	E CAP.	1000μF 25V M
C1637-38	QFV71HJ-104Z	MF CAP.	0.1μF 50V J
C1639	QETN1HM-106Z	E CAP.	10μF 50V M
C1640	NCS21HJ-221X	C CAP.	220pF 50V J
C1641	QETN1HM-226Z	E CAP.	22μF 50V M
C1668	NCB21EK-104X	C CAP.	0.1μF 25V K
C1671	QETN1CM-107Z	E CAP.	100μF 16V M
C1672	NCB21EK-104X	C CAP.	0.1μF 25V K
C1701	NCF21CZ-105X	C CAP.	1μF 16V Z
C1703	QETN1EM-476Z	E CAP.	47μF 25V M
C1704	NCB21EK-104X	C CAP.	0.1μF 25V K
C1705	QETN1AM-107Z	E CAP.	100μF 10V M
C1706	NCB21EK-104X	C CAP.	0.1μF 25V K
C1707	QETN1HM-474Z	E CAP.	0.47μF 50V M
C1708	QETN1EM-476Z	E CAP.	47μF 25V M
C1709-10	NDC21HJ-9R0X	C CAP.	9.0pF 50V J
C1711	NCB21EK-104X	C CAP.	0.1μF 25V K
C1712	NDC21HJ-151X	C CAP.	150pF 50V J

△ Symbol No.	Part No.	Part Name	Description
<b>CAPACITOR</b>			
C1716-17	QETN1HM-105Z	E CAP.	1μF 50V M
C1718	NCB21HK-333X	C CAP.	0.033μF 50V K
C1725	NCB21HK-102X	C CAP.	1000pF 50V K
C1871	NCB21EK-104X	C CAP.	0.1μF 25V K
C1872	NCB21HK-223X	C CAP.	0.022μF 50V K
C1873	NDC21HJ-221X	C CAP.	220pF 50V J
C1874-75	NDC21HJ-150X	C CAP.	15pF 50V J
C1876	NCB21HK-102X	C CAP.	1000pF 50V K
C1877	NCB21EK-104X	C CAP.	0.1μF 25V K
C1878	NCB21HK-102X	C CAP.	1000pF 50V K
C1879	NDC21HJ-180X	C CAP.	18pF 50V J
C1880	QETN1AM-477Z	E CAP.	470μF 10V M
C1881	NCB21EK-104X	C CAP.	0.1μF 25V K
C1882	QETN1EM-476Z	E CAP.	47μF 25V M
C1883	NCB21HK-103X	C CAP.	0.01μF 50V K
C1884-85	NCB21EK-104X	C CAP.	0.1μF 25V K
C1886	NCB21HK-103X	C CAP.	0.01μF 50V K
C1887-89	QETN1HM-106Z	E CAP.	10μF 50V M
<b>COIL</b>			
L1001	QQL244K-5R6Z	PEAKING COIL	5.6μH
L1002	QQL244K-270Z	PEAKING COIL	27μH
L1301-02	QQL244K-4R7Z	PEAKING COIL	4.7μH
L1305	QQL244K-4R7Z	PEAKING COIL	4.7μH
L1306	QQL244K-330Z	PEAKING COIL	33μH
L1501	QQL244J-151Z	PEAKING COIL	150μH
L1701	QQL244K-4R7Z	PEAKING COIL	4.7μH
L1702	QQL244K-3R9Z	PEAKING COIL	
L1871	QQL244K-4R7Z	PEAKING COIL	4.7μH
<b>DIODE</b>			
D1301	MA3051/M/-X	ZENER DIODE	
D1302-04	MA111-X	SI DIODE	
D1503	RB100A-T2	SI DIODE	
D1602	MA111-X	SI DIODE	
D1608	MA111-X	SI DIODE	
D1612	MA111-X	SI DIODE	
D1624-25	MA111-X	SI DIODE	
D1701	MA3068/M/-X	ZENER DIODE	
D1702	MA111-X	SI DIODE	
D1704	MA111-X	SI DIODE	
D1705	MA3036-X	ZENER DIODE	
D1706-08	MA111-X	SI DIODE	
D1710	MA111-X	SI DIODE	
<b>TRANSISTOR</b>			
Q1301-02	2SA1037AK/QR/-X	SI TRANSISTOR	
Q1308	DTC124EKA-X	DIGI. TRANSISTOR	
Q1311	DTC124EKA-X	DIGI. TRANSISTOR	
Q1312	2SA1037AK/QR/-X	SI TRANSISTOR	
Q1401	DTC124EKA-X	DIGI. TRANSISTOR	
Q1402	2SC2412K/QR/-X	SI TRANSISTOR	
Q1604	2SA1037AK/QR/-X	SI TRANSISTOR	
Q1609	2SA1037AK/QR/-X	SI TRANSISTOR	
Q1610	DTC323TK-X	DIGI. TRANSISTOR	
Q1612	DTC323TK-X	DIGI. TRANSISTOR	
Q1701-04	2SC2412K/QR/-X	SI TRANSISTOR	
Q1705	2SA1037AK/QR/-X	SI TRANSISTOR	
Q1708	2SA1037AK/QR/-X	SI TRANSISTOR	
Q1709-10	2SC2412K/QR/-X	SI TRANSISTOR	
Q1871	2SA1037AK/QR/-X	SI TRANSISTOR	
Q1872	2SC2412K/QR/-X	SI TRANSISTOR	
<b>IC</b>			
IC1301	TB1227CN	I C	
IC1302	TC4053BP/W	I C. (DIGI-MOS)	
IC1501	AN5441SA-W	I C	
IC1601	LA4446	I C. (MONO-ANA)	
IC1607	BA05T	I C. (MONO-ANA)	
IC1701	M37280MK-207SP	I C	
IC1702	AT24C16-28WT5	I C.	(SERVICE)
IC1703	L78LR05E-MA	I C. (MONO-ANA)	

△ Symbol No.	Part No.	Part Name	Description
<b>IC</b>			
IC1871	ET417	I.C. (M)	
IC1872	ET206	I.C. (M)	
<b>OTHERS</b>			
CN1001	QGF1220C2-19	FFC/FPC CONNECTO	
K1001	QQR0621-002Z	BEADS CORE	
K1004	QQR0621-002Z	BEADS CORE	
K1307	QQR0621-002Z	BEADS CORE	
K1872	QQL244K-3R3Z	PEAKING COIL	
LC1301	CE42142-222Z	EMI FILTER	
TU1001	QAU0188-003	TUNER	
X1301	QAX0305-001Z	CRYSTAL	
X1701	CST8.00MTW	CER. RESONATOR	
X1871	CE41257-001Z	CRYSTAL	

■ POWER & DEF. P.W. BOARD ASS'Y  
(SJK-2512A-U2)

△ Symbol No.	Part No.	Part Name	Description
<b>RESISTOR</b>			
R2401	QRE141J-682Y	C R	6.8kΩ 1/4W J
R2402	QRA14CF-6801Y	MF R	6.8kΩ 1/4W F
R2403	QRA14CF-1201Y	MF R	1.2kΩ 1/4W F
R2404-05	QRA14CF-8200Y	MF R	820Ω 1/4W F
R2406	QRE141J-103Y	C R	10kΩ 1/4W J
R2409	QRE141J-103Y	C R	10kΩ 1/4W J
R2410	QRE141J-102Y	C R	1kΩ 1/4W J
R2414	QRE121J-3R9Y	C R	3.9Ω 1/2W J
R2415	QRX01GJ-1R8	MF R	1.8Ω 1W J
R2416	QRG01GJ-820	OM R	820Ω 1W J
R2417	QRE121J-1R0Y	C R	1.0Ω 1/2W J
R2461	QRE141J-331Y	C R	330Ω 1/4W J
R2463	QRE121J-392Y	C R	3.9kΩ 1/2W J
R2464	QRE121J-682Y	C R	6.8kΩ 1/2W J
R2465	QRE121J-103Y	C R	10kΩ 1/2W J
R2466	QRE121J-102Y	C R	1kΩ 1/2W J
R2467	QRL039J-120	OM R	12Ω 3W J
R2492	QRE141J-683Y	C R	68kΩ 1/4W J
R2493	QRE141J-224Y	C R	220kΩ 1/4W J
R2495	QRE141J-103Y	C R	10kΩ 1/4W J
R2496	QRE141J-183Y	C R	18kΩ 1/4W J
R2497	QRE141J-153Y	C R	15kΩ 1/4W J
R2502	QRE141J-222Y	C R	2.2kΩ 1/4W J
R2503	QRE121J-152Y	C R	1.5kΩ 1/2W J
R2504	QRL039J-821	OM R	820Ω 3W J
R2505	QRL039J-681	OM R	680Ω 3W J
R2521	QRE121J-150Y	C R	15Ω 1/2W J
R2522	QRL039J-103	OM R	10kΩ 3W J
R2523	QRE121J-471Y	C R	470Ω 1/2W J
R2525	QRE141J-332Y	C R	3.3kΩ 1/4W J
R2541	QRE121J-103Y	C R	10kΩ 1/2W J
R2542	QRE121J-222Y	C R	2.2kΩ 1/2W J
R2543	QRE121J-124Y	C R	120kΩ 1/2W J
R2544	QRE121J-104Y	C R	100kΩ 1/2W J
R2545	QRE141J-123Y	C R	12kΩ 1/4W J
R2546	QRE121J-104Y	C R	100kΩ 1/2W J
R2547	QRE141J-123Y	C R	12kΩ 1/4W J
R2548	QRE121J-222Y	C R	2.2kΩ 1/2W J
R2551-52	QRT039J-1R0	MF R	1.0Ω 3W J
R2553	QRF104K-5R6	UNF R	5.6Ω 10W K
R2591	QRE121J-123Y	C R	12kΩ 1/2W J
R2592	QRA14CF-1201Y	MF R	1.2kΩ 1/4W F
R2593	QRE141J-183Y	C R	18kΩ 1/4W J
R2594	QRE141J-222Y	C R	2.2kΩ 1/4W J
△ R2595	QRA14CF-1692Y	MF R	16.9kΩ 1/4W F
△ R2596	QRA14CF-2491Y	MF R	2.49kΩ 1/4W F
△ R2597	QRE141J-273Y	C R	27kΩ 1/4W J
△ R2902	QRZ0123-121	UNF R	120 Ω 7W J

△ Symbol No.	Part No.	Part Name	Description
<b>RESISTOR</b>			
R2903	QRF104K-3R9	UNF R	3.9Ω 10W K
R2904-05	QRE121J-474Y	C R	470kΩ 1/2W J
R2907-08	QRL039J-823	OM R	82kΩ 3W J
R2909	QRG039J-683	OM R	68kΩ 3W J
R2910	QRE121J-681Y	C R	680Ω 1/2W J
R2911	QRM059J-R15	MP R	0.15Ω 5W J
R2912	QRT029J-2R2	MF R	2.2Ω 2W J
R2914	QRE121J-272Y	C R	2.7kΩ 1/2W J
R2918	QRE121J-332Y	C R	3.3kΩ 1/2W J
R2933	QRE141J-102Y	C R	1kΩ 1/4W J
R2935	QRE141J-473Y	C R	47kΩ 1/4W J
R2936	QRE141J-103Y	C R	10kΩ 1/4W J
R2938	QRE121J-102Y	C R	1kΩ 1/2W J
R2940	QRE121J-390Y	C R	39Ω 1/2W J
R2964	QRE121J-102Y	C R	1kΩ 1/2W J
R2967	QRL039J-223	OM R	22kΩ 3W J
R2976	QRL029J-100	OM R	10Ω 2W J
△ R2991	QRZ9041-825	C R	8.2MΩ 1/2W K

△ Symbol No.	Part No.	Part Name	Description
<b>CAPACITOR</b>			
C2401	QEHR1VM-227Z	E CAP.	220μF 35V M
C2402	QETM1VM-108	E CAP.	1000μF 35V M
C2403	QFLC2AJ-683Z	M CAP.	0.068μF 100V J
C2404	QETN1HM-105Z	E CAP.	1μF 50V M
C2405	QFLC1HJ-472Z	M CAP.	4700pF 50V J
C2406	QCZ0337-180Z	C CAP.	180pF 2kV J
C2407	QFLC1HJ-102Z	M CAP.	1000pF 50V J
C2408	QFV71HJ-334Z	MF CAP.	0.33μF 50V J
C2410	QFV71HJ-334Z	MF CAP.	0.33μF 50V J
C2411	QFLC2AJ-563Z	M CAP.	0.056μF 100V J
C2451	QFV71HJ-104Z	MF CAP.	0.1μF 50V J
C2461	QEZ0231-475Z	E CAP.	4.7μF 160V M
C2462	QETN1HM-106Z	E CAP.	10μF 50V M
C2463	QFLC1HJ-153Z	M CAP.	0.015μF 50V J
C2491	QETN1HM-105Z	E CAP.	1μF 50V M
C2492	QETN1HM-106Z	E CAP.	10μF 50V M
C2502	QCB32HK-681Z	C CAP.	680pF 500V K
C2503	QEHR2CM-105Z	E CAP.	1μF 160V M
△ C2521	QFZ0200-722	MPP CAP.	7200pF 1.5kVH ±3%
△ C2522	QFZ0200-113	MPP CAP.	0.011μF 1.5kVH ±3%
△ C2523	QFP32GJ-223	PP CAP.	0.022μF 400V J
△ C2524	QFM72DK-683	M CAP.	0.068μF 200V K
△ C2525	QFZ0197-354	MPP CAP.	0.35μF 250V J
△ C2526	QFZ0197-514	MPP CAP.	0.51μF 250V J
C2527	QEHR2EM-475Z	E CAP.	4.7μF 250V M
C2528	QFZ0197-683	MPP CAP.	0.068μF 250V J
C2529	QFZ0197-104	MPP CAP.	0.1μF 250V J
C2530	QCB32HK-561Z	C CAP.	560pF 500V K
C2531	QFLC1HJ-103Z	M CAP.	0.01μF 50V J
C2532	QFZ0197-374	MPP CAP.	0.37μF 250V J
C2542	QFZ0197-824	MPP CAP.	0.82μF 250V J
C2543	QFZ0197-204	MPP CAP.	0.2μF 250V J
C2551	QETN2EM-106Z	E CAP.	10μF 250V M
C2552	QCB32HK-152Z	C CAP.	1500pF 500V K
C2553	QEHR1EM-108Z	E CAP.	1000μF 25V M
C2554	QCB32HK-152Z	C CAP.	1500pF 500V K
C2555	QEHR1EM-108Z	E CAP.	1000μF 25V M
C2560	QETM2CM-227	E CAP.	220μF 160V M
C2591	QETN1AM-107Z	E CAP.	100μF 10V M
C2592	QETN1EM-476Z	E CAP.	47μF 25V M
C2593	QETN2AM-106Z	E CAP.	10μF 100V M
C2594	QETN1AM-227Z	E CAP.	220μF 10V M
△ C2904	QCZ9054-472	C CAP.	4700pFAC250V Z
△ C2905	QCZ9054-472	C CAP.	4700pFAC250V Z
△ C2906	QCZ9054-472	C CAP.	4700pFAC250V M
C2907	QEZ0199-227	E CAP.	220μF 400V M
C2908	QCB32HK-103	C CAP.	0.01μF 500V K
C2909	QCZ0122-391	C CAP.	390pF 2kV K
C2910	QCZ0122-102	C CAP.	1000pF 2kV K
C2912	QCB31HK-471Z	C CAP.	470pF 50V K
C2913	QETN1HM-476Z	E CAP.	47μF 50V M
C2916	QETN1HM-107Z	E CAP.	100μF 50V M
C2918	QCB31HK-681Z	C CAP.	680pF 50V K



Symbol No.	Part No.	Part Name	Description
<b>CAPACITOR</b>			
C2933-34	QETN1HM-1062	E CAP.	10µF 50V M
C2935	QETN1EM-2272	E CAP.	220µF 25V M
C2951	QCZ0122-561	C CAP.	560pF 2kV K
C2952	QEZO203-227	E CAP.	220µF 160V M
C2953	QCB32HK-3912	C CAP.	390pF 500V K
C2954	QTM1EM-228	E CAP.	2200µF 25V M
C2955	QCB32HK-3912	C CAP.	390pF 500V K
C2956	QTM1CM-228	E CAP.	2200µF 16V M
C2958	QCB32HK-3912	C CAP.	390pF 500V K
C2959	QETM1VM-228	E CAP.	2200µF 35V M
C2964	QFV71HJ-6842	MF CAP.	0.68µF 50V J
C2968	QCZ0120-104Z	C CAP.	0.1µF 25V Z
C2969	QEHR1CM-4772	E CAP.	470µF 16V M
C2970	QEHR1CM-1072	E CAP.	100µF 16V M
C2971	QCZ0120-104Z	C CAP.	0.1µF 25V Z
C2972	QETN1CM-2272	E CAP.	220µF 16V M
C2973	QETN1EM-476Z	E CAP.	47µF 25V M
C2974	QCZ0120-104Z	C CAP.	0.1µF 25V Z
C2975	QETN1AM-2272	E CAP.	220µF 10V M
C2976	QETN1EM-476Z	E CAP.	47µF 25V M
C2979	QFV71HJ-104Z	MF CAP.	0.1µF 50V J
△ C2991	QCZ9079-33Z	C CAP.	3300pFAC250V M
△ C2992	QCZ9079-471	C CAP.	470pFAC250V K
<b>TRANSFORMER</b>			
T2501	CE42034-002	H.DRIVE TRANSF.	
T2521	CE42549-001J1	BRIGE COIL	
△ T2551	QOH0093-001	FB TRANSF.	
△ T2901	QOS0099-001	SW TRANSF.	
△ T2921	QQT0303-001	POWER TRANSF.	
<b>COIL</b>			
L2461	QQLZ028-472	CHOKE COIL	
L2521	QQLZ028-101	CHOKE COIL	
L2522	QQR1137-004	LINEARITY COIL	
L2901-02	QQL402K-100	COIL	10µH
△ L2903	QQR0659-004	CHOKE COIL	
L2951	QQLZ026-460	HEATER CHOKE	
L2952	QQL26AK-820Z	CHOKE COIL	
L2953-54	QQL26AM-5R6Z	CHOKE COIL	
<b>DIODE</b>			
D2401	MTZJ75-T2	ZENER DIODE	
D2402	1N4003-T2	SI. DIODE	
D2403	1S5133-T2	SI. DIODE	
D2451	BYD33D-T3	SI. DIODE	
D2491	BYD33D-T3	SI. DIODE	
D2492	MTZJ22B-T2	ZENER DIODE	
D2493-94	1S5133-T2	SI. DIODE	
D2521	RH3G-F1	SI. DIODE	
D2522	BYW95B-20	SI. DIODE	
D2523	BYD33G-T3	SI. DIODE	
D2525	MTZJ9.1B-T2	ZENER DIODE	
D2551	BYD33G-T3	SI. DIODE	
D2553-54	BYW95B-20	SI. DIODE	
D2591	MTZJ15B-T2	ZENER DIODE	
D2592	MTZJ7.5B-T2	ZENER DIODE	
D2593	BYD33D-T3	SI. DIODE	
△ D2594	MTZJ7.5S-T2	ZENER DIODE	
D2901	D3SBA60	DIODE BRIDGE	
D2902	BYD33M-T3	SI. DIODE	
D2904-05	BYD33D-T3	SI. DIODE	
D2909	1S5133-T2	SI. DIODE	
D2911	MTZJ15B-T2	ZENER DIODE	
D2913	MTZJ27B-T2	ZENER DIODE	
D2931	1S5133-T2	SI. DIODE	
D2934	MTZJ6.2B-T2	ZENER DIODE	
D2935-38	1N4003-T2	SI. DIODE	
D2939	1S5133-T2	SI. DIODE	
D2951	RU4B-F1	SI. DIODE	
D2953-54	BYW95B-20	SI. DIODE	
D2955	FMX-G12S	SI. DIODE	
D2958	1SR35-400A-T2	SI. DIODE	
D2963	MTZJ3.9B-T2	ZENER DIODE	

Symbol No.	Part No.	Part Name	Description
<b>DIODE</b>			
D2964	MTZJ33B-T2	ZENER DIODE	
D2981-83	1S5133-T2	SI. DIODE	
D2985	MTZJ7.5C-T2	ZENER DIODE	
<b>TRANSISTOR</b>			
Q2402	2SC1740S/QR/-T	SI. TRANSISTOR	
Q2461	2SD1408/OY//LB	SI. TRANSISTOR	
Q2462-63	2SA933AS/QR/-T	SI. TRANSISTOR	
Q2501	BSN304-T	F.E.T.	
△ Q2521	2SD2634-YD	SI. TRANSISTOR	H. OUT
Q2541-42	DTC124ESA-T	DIGI. TRANSISTOR	
Q2543	IRF620	F.E.T.	
Q2544-45	2SK2459N-F54	F.E.T.	
Q2546	DTC124ESA-T	DIGI. TRANSISTOR	
Q2591	2SA949/Y/Z1-T	SI. TRANSISTOR	
Q2592	DTC124ESA-T	DIGI. TRANSISTOR	
Q2593	2SC1740S/QR/-T	SI. TRANSISTOR	
Q2931-32	2SC1740S/QR/-T	SI. TRANSISTOR	
Q2933	2SC2655/Y/-T	SI. TRANSISTOR	
<b>IC</b>			
IC2401	LA7841	I.C. (MONO-ANA)	
△ IC2901	STR-F6667B/F7	I.C.	
IC2951	SE140N	I.C. (HYBRID)	
IC2952	BA12T	I.C. (MONO-ANA)	
IC2953	BA17809T	I.C. (MONO-ANA)	
IC2954	BA05T	I.C. (MONO-ANA)	
<b>OTHERS</b>			
△ CP2952	ICP-N50-Y	I.C. PROTECT	
△ CP2953	ICP-N75-Y	I.C. PROTECT	
△ CP2956	ICP-N10-Y	I.C. PROTECT	
△ CP2957	ICP-N5-Y	I.C. PROTECT	
K2401	QQR0621-002Z	BEADS CORE	
K2503-04	QQR0582-001Z	BEADS CORE	
K2901	QQR0679-001	FERRITE BEADS	
K2904	QQR0679-001	FERRITE BEADS	
K2951	QQR0872-001Y	FERRITE BEADS	
K2952-54	QQR0621-002Z	BEADS CORE	
△ LF2901	QQR1095-001	LINE FILTER	
PC2541-42	PC123F2	I.C. (PH. COUPLER)	
△ PC2901	PC123FY2	I.C. (PH. COUPLER)	
△ R2494	QRZ9017-4R7	F R	4.7Ω 1/4W J
△ R2524	QRZ9017-4R7	F R	4.7Ω 1/4W J
△ R2554	QRZ9021-1R0	F R	1.0Ω 1W J
△ R2555	QRZ9011-4R7	F R	4.7Ω 1/2W J
△ R2913	QRZ9017-100	F R	10Ω 1/4W J
△ RY2931	QSK0099-001	RELAY	
△ TH2901	QAD0120-9R0	P. THERMISTOR	

■ CRT SOCKET P.W. BOARD ASS'Y  
(SJK-3512A-U2)

△ Symbol No.	Part No.	Part Name	Description
<b>RESISTOR</b>			
R3101-03	NRSA02J-101X	MG R	100Ω 1/10W J
R3107-09	NRSA02J-392X	MG R	3.9kΩ 1/10W J
R3110-12	NRSA02J-221X	MG R	220Ω 1/10W J
R3113-15	NRSA02J-470X	MG R	47Ω 1/10W J
R3116-18	QRL029J-153	OM R	15kΩ 2W J
R3119-21	QRL029J-183	OM R	18kΩ 2W J
R3125-27	QRZ0107-102Z	C R	1kΩ 1/2W K
R3130	QRG01GJ-101	OM R	100Ω 1W J
R3135	QRZ0107-474Z	C R	470kΩ 1/2W K
R3136	QRE121J-474Y	C R	470kΩ 1/2W J
R3137	QRZ0107-102Z	C R	1kΩ 1/2W K
R3138	QRE121J-105Y	C R	1MΩ 1/2W J
R3151	NRSA02J-102X	MG R	1kΩ 1/10W J
R3152	NRSA02J-472X	MG R	4.7kΩ 1/10W J
R3154	NRSA02J-0R0X	MG R	0.0Ω 1/10W J
<b>CAPACITOR</b>			
C3101-03	NDC21HJ-391X	C CAP.	390pF 50V J
C3104	QETN1CM-107Z	E CAP.	100μF 16V M
C3105	QETN1EM-476Z	E CAP.	47μF 25V M
C3107	QETN1HM-106Z	E CAP.	10μF 50V M
C3113	QCZ0131-222	C CAP.	2200pF 2000V K
C3114	QETM2EM-336	E CAP.	33μF 250V M
C3115	QETM2EM-106	E CAP.	10μF 250V M
C3116	NRSA02J-0R0X	MG R	0.0Ω 1/10W J
<b>DIODE</b>			
D3151	MA111-X	SI. DIODE	
D3153-55	MA111-X	SI. DIODE	
D3156	MA3047/H/-X	ZENER DIODE	
D3163	MA3150/M/-X	ZENER DIODE	
D3164	1SR35-400A-T2	SI. DIODE	
<b>TRANSISTOR</b>			
Q3101-03	2SC1740S/QR/-T	SI. TRANSISTOR	
Q3104-06	2SC4544-LB	SI. TRANSISTOR	
Q3151	2SA1037AK/QR/-X	SI. TRANSISTOR	
Q3152	2SC4682-T	SI. TRANSISTOR	
<b>OTHERS</b>			
K3101	QQR0621-002Z	BEADS CORE	
△ SK3001	CE42446-001	C. R. T. SOCKET	

■ FRONT CONTROL P.W. BOARD ASS'Y  
(SJK-8512A-U2)

△ Symbol No.	Part No.	Part Name	Description
<b>RESISTOR</b>			
R8301	NRSA02J-750X	MG R	75Ω 1/10W J
R8801-02	NRSA02J-561X	MG R	560Ω 1/10W J
R8807-09	NRSA02J-103X	MG R	10kΩ 1/10W J
R8810-11	QRE121J-271Y	C R	270Ω 1/2W J
R8812-13	NRSA02J-102X	MG R	1kΩ 1/10W J
R8851	NRSA02J-682X	MG R	6.8kΩ 1/10W J
R8861	NRSA02J-562X	MG R	5.6kΩ 1/10W J
R8863	NRSA02J-472X	MG R	4.7kΩ 1/10W J
R8864	NRSA02J-222X	MG R	2.2kΩ 1/10W J
<b>CAPACITOR</b>			
C8001	NCF21CZ-105X	C CAP.	1μF 16V Z
C8301-02	NCB21HK-472X	C CAP.	4700pF 50V K
C8303	NCB21HK-102X	C CAP.	1000pF 50V K
C8801-02	NCB21HK-104X	CHIP CAP.	0.1μF 50V K
C8805	NCB21HK-103X	C CAP.	0.01μF 50V K
C8851	NCB21EK-104X	C CAP.	0.1μF 25V K
C8852	QETN1CM-107Z	E CAP.	100μF 16V M
C8861	QETN1HM-106Z	E CAP.	10μF 50V M
△ C8901	QFZ9040-474	MF CAP.	0.47μFAC275V M
<b>COIL</b>			
L8301	QQL244K-270Z	PEAKING COIL	27μH
L8302	QQR0716-001Z	LEAD CORE	
L8303	QQL244K-270Z	PEAKING COIL	27μH
L8801-02	QQL244K-5R6Z	PEAKING COIL	5.6μH
L8803	QQR0716-001Z	LEAD CORE	
<b>DIODE</b>			
D8801	SPR-39MVWF	L. E. D.	
D8805	MA111-X	SI. DIODE	
D8851	MA3068/M/-X	ZENER DIODE	
D8861	MA111-X	SI. DIODE	
D8862	P1241-04	C. D. S.	
<b>TRANSISTOR</b>			
Q8801-02	DTA124EKA-X	DIGI. TRANSISTOR	
Q8861	2SA1037AK/QR/-X	SI. TRANSISTOR	
<b>IC</b>			
IC8851	GP1U281Q	IFR DETECT UNIT	
<b>OTHERS</b>			
△ F8901	LC30349-001A-H	L. E. D. HOLDER	
J8301	CM35921-005-H	CDS HOLDER	
J8302	CEMG002-001Z	FUSE CLIP	
J8801	QMF51D2-3R15J1	FUSE	3.15A
△ LF8901	QND0073-001	S JACK	
	QNN0370-001	PIN JACK	
	QMS3004-C01	HEADPHONE JACK	
	QQR1095-001	LINE FILTER	
S8801	QSW0619-003Z	PUSH SWITCH	VR
S8802	QSW0619-003Z	PUSH SWITCH	▽(DOWN)
S8803	QSW0619-003Z	PUSH SWITCH	△(UP)
△ S8901	QSW0824-001	PUSH SWITCH	MAIN POWER

■ AV SEL. P.W. BOARD ASS'Y (SJK0S712A-U2)

Symbol No.	Part No.	Part Name	Description
<b>RESISTOR</b>			
R0101-08	NRSA02J-750X	MG R	75Ω 1/10W J
R0110	NRSA02J-823X	MG R	82kΩ 1/10W J
R0112	NRSA02J-823X	MG R	82kΩ 1/10W J
R0113	NRSA02J-750X	MG R	75Ω 1/10W J
R0114	NRSA02J-473X	MG R	47kΩ 1/10W J
R0115-16	NRSA02J-223X	MG R	22kΩ 1/10W J
R0117-18	NRSA02J-823X	MG R	82kΩ 1/10W J
R0119-20	NRSA02J-391X	MG R	390Ω 1/10W J
R0123	NRSA02J-104X	MG R	100kΩ 1/10W J
R0124-25	NRSA02J-101X	MG R	100Ω 1/10W J
R0126	NRSA02J-333X	MG R	33kΩ 1/10W J
R0127	NRSA02J-101X	MG R	100Ω 1/10W J
R0128	NRSA02J-103X	MG R	10kΩ 1/10W J
R0129	NRSA02J-823X	MG R	82kΩ 1/10W J
R0130	NRSA02J-473X	MG R	47kΩ 1/10W J
R0131	NRSA02J-273X	MG R	27kΩ 1/10W J
R0132	NRSA02J-153X	MG R	15kΩ 1/10W J
R0133	NRSA02J-222X	MG R	2.2kΩ 1/10W J
R0134	NRSA02J-333X	MG R	33kΩ 1/10W J
R0135	NRSA02J-222X	MG R	2.2kΩ 1/10W J
R0136-37	NRSA02J-333X	MG R	33kΩ 1/10W J
R0138	NRSA02J-473X	MG R	47kΩ 1/10W J
R0139	NRSA02J-823X	MG R	82kΩ 1/10W J
R0140	NRSA02J-103X	MG R	10kΩ 1/10W J
R0141	NRSA02J-153X	MG R	15kΩ 1/10W J
R0142	NRSA02J-223X	MG R	22kΩ 1/10W J
R0143	NRSA02J-473X	MG R	47kΩ 1/10W J
R0144	NRSA02J-273X	MG R	27kΩ 1/10W J
R0146	NRSA02J-391X	MG R	390Ω 1/10W J
R0148	NRSA02J-391X	MG R	390Ω 1/10W J
R0151	NRSA02J-104X	MG R	100kΩ 1/10W J
R0152	NRSA02J-222X	MG R	2.2kΩ 1/10W J
R0153	NRSA02J-333X	MG R	33kΩ 1/10W J
R0154	NRSA02J-222X	MG R	2.2kΩ 1/10W J
R0155	NRSA02J-333X	MG R	33kΩ 1/10W J
R0156-69	NRSA02J-101X	MG R	100Ω 1/10W J
R0170	NRSA02J-333X	MG R	33kΩ 1/10W J
R0171	NRSA02J-222X	MG R	2.2kΩ 1/10W J
R0172	NRSA02J-473X	MG R	47kΩ 1/10W J
R0173	NRSA02J-823X	MG R	82kΩ 1/10W J
R0174	NRSA02J-103X	MG R	10kΩ 1/10W J
R0175	NRSA02J-153X	MG R	15kΩ 1/10W J
R0176	NRSA02J-473X	MG R	47kΩ 1/10W J
R0177	NRSA02J-273X	MG R	27kΩ 1/10W J
R0180-83	NRSA02J-101X	MG R	100Ω 1/10W J
R0184	NRSA02J-333X	MG R	33kΩ 1/10W J
R0185	NRSA02J-222X	MG R	2.2kΩ 1/10W J
R0186	NRSA02J-333X	MG R	33kΩ 1/10W J
R0188	NRSA02J-101X	MG R	100Ω 1/10W J
R0189-90	NRSA02J-221X	MG R	220Ω 1/10W J
R0191-92	NRSA02J-562X	MG R	5.6kΩ 1/10W J
R0193-94	NRSA02J-102X	MG R	1kΩ 1/10W J
R0195	QRG01GJ-101	QM R	100Ω 1W J
R0197	QRK126J-181X	C R	180Ω 1/2W J
R0198	NRSA02J-750X	MG R	75Ω 1/10W J
R0199	NRSA02J-101X	MG R	100Ω 1/10W J
R0202	QRK126J-151X	C R	150Ω 1/2W J
R0203-05	NRSA02J-750X	MG R	75Ω 1/10W J
R0207	NRSA02J-222X	MG R	2.2kΩ 1/10W J
R0208	NRSA02J-333X	MG R	33kΩ 1/10W J
R0209	NRSA02J-222X	MG R	2.2kΩ 1/10W J
R0210	NRSA02J-333X	MG R	33kΩ 1/10W J
R0211-12	NRSA02J-103X	MG R	10kΩ 1/10W J
R0603	NRSA02J-102X	MG R	1kΩ 1/10W J
R0606	QRG01GJ-181	QM R	180Ω 1W J
R0607	NRSA02J-123X	MG R	12kΩ 1/10W J
R0608	NRSA02J-181X	MG R	180Ω 1/10W J
R0609	NRSA02J-123X	MG R	12kΩ 1/10W J
R0610	NRSA02J-122X	MG R	1.2kΩ 1/10W J
R0614	NRSA02J-103X	MG R	10kΩ 1/10W J
R0615	NRSA02J-101X	MG R	100Ω 1/10W J
R0617	NRSA02J-102X	MG R	1kΩ 1/10W J
R0618	NRSA02J-332X	MG R	3.3kΩ 1/10W J

Symbol No.	Part No.	Part Name	Description
<b>RESISTOR</b>			
R0620	NRSA02J-333X	MG R	33kΩ 1/10W J
R0622	NRSA02J-103X	MG R	10kΩ 1/10W J
R0623	NRSA02J-102X	MG R	1kΩ 1/10W J
R0624	NRSA02J-104X	MG R	100kΩ 1/10W J
R0628	NRSA02J-0R0X	MG R	0.0Ω 1/10W J
R0629-31	NRSA02J-101X	MG R	100Ω 1/10W J
R0632	NRSA02J-332X	MG R	3.3kΩ 1/10W J
R0633	NRSA02J-221X	MG R	220Ω 1/10W J
R0634-35	NRSA02J-332X	MG R	3.3kΩ 1/10W J
R0647-48	NRSA02J-101X	MG R	100Ω 1/10W J
R0651	NRSA02J-122X	MG R	1.2kΩ 1/10W J
<b>CAPACITOR</b>			
C0101	NDC21HJ-151X	C CAP.	150pF 50V J
C0102	QETN1CM-477Z	E CAP.	470μF 16V M
C0103-05	QETN1HM-106Z	E CAP.	10μF 50V M
C0106	NCB21HK-472X	C CAP.	4700pF 50V K
C0107	NCB21HK-152X	C CAP.	1500pF 50V K
C0108	NCB21HK-472X	C CAP.	4700pF 50V K
C0109	NCB21HK-152X	C CAP.	1500pF 50V K
C0110	QETN1CM-477Z	E CAP.	470μF 16V M
C0111-12	NCB21HK-472X	C CAP.	4700pF 50V K
C0113	NDC21HJ-151X	C CAP.	150pF 50V J
C0114-15	NCB21HK-472X	C CAP.	4700pF 50V K
C0116-17	QETN1HM-106Z	E CAP.	10μF 50V M
C0118	NCB21HK-102X	C CAP.	1000pF 50V K
C0119	QETN1HM-105Z	E CAP.	1μF 50V M
C0120	QETN1HM-106Z	E CAP.	10μF 50V M
C0121	QETN1HM-105Z	E CAP.	1μF 50V M
C0122	NCB21HK-103X	C CAP.	0.01μF 50V K
C0123	NCB21HK-102X	C CAP.	1000pF 50V K
C0124-25	QETN1HM-106Z	E CAP.	10μF 50V M
C0126	QETN1HM-105Z	E CAP.	1μF 50V M
C0127	QETN1HM-106Z	E CAP.	10μF 50V M
C0128	QETN1HM-105Z	E CAP.	1μF 50V M
C0129	QETN1HM-106Z	E CAP.	10μF 50V M
C0130	QETN1HM-105Z	E CAP.	1μF 50V M
C0131	NCB21HK-102X	C CAP.	1000pF 50V K
C0132	QETN1HM-105Z	E CAP.	1μF 50V M
C0133	NCB21HK-103X	C CAP.	0.01μF 50V K
C0136	QETN1HM-106Z	E CAP.	10μF 50V M
C0137	QENC1EM-106Z	BP E CAP.	10μF 25V M
C0139	QENC1EM-106Z	BP E CAP.	10μF 25V M
C0140	QETN1CM-107Z	E CAP.	100μF 16V M
C0141	NCB21HK-103X	C CAP.	0.01μF 50V K
C0142	QENC1HM-105Z	BP E CAP.	1μF 50V M
C0143	QENC1EM-106Z	BP E CAP.	10μF 25V M
C0144	QENC1HM-105Z	BP E CAP.	1μF 50V M
C0145-46	QETN1CM-107Z	E CAP.	100μF 16V M
C0147	QETN1CM-477Z	E CAP.	470μF 16V M
C0149	NCB21HK-103X	C CAP.	0.01μF 50V K
C0150-51	QETN1HM-106Z	E CAP.	10μF 50V M
C0152-53	QETN1HM-105Z	E CAP.	1μF 50V M
C0154-55	NDC21HJ-680X	C CAP.	68pF 50V J
C0157-58	NDC21HJ-680X	C CAP.	68pF 50V J
C0159	NDC21HJ-561X	C CAP.	560pF 50V J
C0160	NDC21HJ-102X	C CAP.	1000pF 50V J
C0161	NDC21HJ-680X	C CAP.	68pF 50V J
C0610	NDC21HJ-821X	C CAP.	820pF 50V J
C0611-12	NDC21HJ-470X	C CAP.	47pF 50V J
C0614	NDC21HJ-180X	C CAP.	18pF 50V J
C0616	QETN1CM-107Z	E CAP.	100μF 16V M
C0617	NCB21EK-104X	C CAP.	0.1μF 25V K
C0618	QETN1HM-106Z	E CAP.	10μF 50V M
C0619	NCB21EK-104X	C CAP.	0.1μF 25V K
C0620	QETN1HM-106Z	E CAP.	10μF 50V M
C0621-22	QENC1HM-105Z	BP E CAP.	1μF 50V M
C0623	NCB21EK-104X	C CAP.	0.1μF 25V K
C0624	QETN1HM-106Z	E CAP.	10μF 50V M
C0625	QETN1CM-227Z	E CAP.	220μF 16V M
C0626	NCB21HK-153X	C CAP.	0.015μF 50V K
C0627	QENC1HM-105Z	BP E CAP.	1μF 50V M
C0628	NCB21HK-223X	C CAP.	0.022μF 50V K
C0629	QETN1HM-106Z	E CAP.	10μF 50V M

Symbol No.	Part No.	Part Name	Description
<b>CAPACITOR</b>			
C0630-31	NCB21HK-102X	C CAP.	1000pF 50V K
C0632	NCB21EK-104X	C CAP.	0.1µF 25V K
C0633	QETN1HM-106Z	E CAP.	10µF 50V M
C0634-35	NCB21HK-103X	C CAP.	0.01µF 50V K
C0636	NDC21HJ-2R0X	C CAP.	2.0pF 50V J
C0637	NCB21HK-222X	C CAP.	2200pF 50V K
C0638	QETN1CM-336Z	E CAP.	33µF 16V M
C0639	NCB21HK-153X	C CAP.	0.015µF 50V K
C0640	NCB21HK-223X	C CAP.	0.022µF 50V K
C0641	NCB21HK-222X	C CAP.	2200pF 50V K
C0642	NDC21HJ-2R0X	C CAP.	2.0pF 50V J
C0643	QENC1HM-105Z	BP E CAP.	1µF 50V M
C0645	NCB21HK-103X	C CAP.	0.01µF 50V K
C0646	NCB21EK-104X	C CAP.	0.1µF 25V K
C0647	QETN1CM-107Z	E CAP.	100µF 16V M
C0648	NCB21EK-104X	C CAP.	0.1µF 25V K
C0659-60	QENC1HM-105Z	BP E CAP.	1µF 50V M
C0677-78	NCB21HK-102X	C CAP.	1000pF 50V K
<b>COIL</b>			
L0114	QQR0716-001Z	LEAD CORE	
L0601	QQL244K-220Z	PEAKING COIL	22µH
L0602	QQL244K-180Z	PEAKING COIL	18µH
L0604	QQL244K-100Z	PEAKING COIL	10µH
L0605	QQL244K-4R7Z	PEAKING COIL	4.7µH
<b>DIODE</b>			
D0101-13	MA3120/M/-X	ZENER DIODE	
D0601	RD8.2E/B2/-T2	ZENER DIODE	
<b>TRANSISTOR</b>			
Q0101	DTC323TK-X	DIGI. TRANSISTOR	
Q0102	2SA1037AK/QR/-X	SI. TRANSISTOR	
Q0103	DTC323TK-X	DIGI. TRANSISTOR	
Q0104-07	2SC2412K/QR/-X	SI. TRANSISTOR	
Q0108	2SA1037AK/QR/-X	SI. TRANSISTOR	
Q0109-10	DTC323TK-X	DIGI. TRANSISTOR	
Q0111-12	2SC2412K/QR/-X	SI. TRANSISTOR	
Q0116	2SA933AS/QR/-T	SI. TRANSISTOR	
Q0118	2SC1740S/QR/-T	SI. TRANSISTOR	
Q0119-20	2SC2412K/QR/-X	SI. TRANSISTOR	
Q0601	2SC2412K/QR/-X	SI. TRANSISTOR	
Q0602	DTC323TK-X	DIGI. TRANSISTOR	
Q0603	2SA1037AK/QR/-X	SI. TRANSISTOR	
<b>IC</b>			
IC0101	CXA20890-X	I C	
IC0602	BA4558F-X	I. C. (MONO-ANA)	
IC0603	MSP3415D-QG-B3X	IC	
<b>OTHERS</b>			
J0001	QNZ0465-001	PIN CONNECTOR	
J0002	QNZ0463-001	PIN CONNECTOR	
K0101-04	CE42681-001Y	BEADS CORE	
K0601	QQR0621-002Z	BEADS CORE	
LC0601-02	CE42482-103Y	EMI FILTER	
X0601	CE42546-001Z	CRYSTAL	

## AV28WT5EKS

## PRINTED WIRING BOARD PARTS LIST

## ■ MAIN P.W. BOARD ASS'Y (SJK-1912A-U2)

Symbol No.	Part No.	Part Name	Description
<b>RESISTOR</b>			
R1001	NRSA02J-102X	MG R	1kΩ 1/10W J
R1004-06	NRSA02J-102X	MG R	1kΩ 1/10W J
R1007	NRSA02J-104X	MG R	100kΩ 1/10W J
R1008	NRSA02J-0R0X	MG R	0.0Ω 1/10W J
R1304	QRG01GJ-121	OM R	120Ω 1W J
R1305	NRSA02J-562X	MG R	5.6kΩ 1/10W J
R1306	NRSA02J-222X	MG R	2.2kΩ 1/10W J
R1307	NRSA02J-102X	MG R	1kΩ 1/10W J
R1308	NRSA02J-471X	MG R	470Ω 1/10W J
R1309	NRSA02J-222X	MG R	2.2kΩ 1/10W J
R1310-11	NRSA02J-391X	MG R	390Ω 1/10W J
R1312-13	NRSA02J-101X	MG R	100Ω 1/10W J
R1314	NRSA02J-562X	MG R	5.6kΩ 1/10W J
R1316	NRSA02J-224X	MG R	220kΩ 1/10W J
R1317	NRSA02J-101X	MG R	100Ω 1/10W J
R1318-21	NRSA02J-102X	MG R	1kΩ 1/10W J
R1327	NRSA02J-0R0X	MG R	0.0Ω 1/10W J
R1328-29	NRSA02J-102X	MG R	1kΩ 1/10W J
R1330	NRSA02J-472X	MG R	4.7kΩ 1/10W J
R1331	NRSA02J-333X	MG R	33kΩ 1/10W J
R1332-33	NRSA02J-222X	MG R	2.2kΩ 1/10W J
R1335	NRSA02J-273X	MG R	27kΩ 1/10W J
R1340-41	NRSA02J-333X	MG R	33kΩ 1/10W J
R1342	NRSA02J-152X	MG R	1.5kΩ 1/10W J
R1343	NRSA02J-272X	MG R	2.7kΩ 1/10W J
R1344	NRSA02J-471X	MG R	470Ω 1/10W J
R1345	NRSA02J-102X	MG R	1kΩ 1/10W J
R1346	NRSA02J-223X	MG R	22kΩ 1/10W J
R1401-02	NRSA02J-103X	MG R	10kΩ 1/10W J
R1403	NRSA02J-102X	MG R	1kΩ 1/10W J
R1404	NRSA02J-183X	MG R	18kΩ 1/10W J
R1405	NRSA02J-223X	MG R	22kΩ 1/10W J
R1409	NRSA02J-0R0X	MG R	0.0Ω 1/10W J
R1411	NRVA02D-473X	MF R	47kΩ 1/10W D
R1413	NRVA02D-223X	MF R	22kΩ 1/10W D
R1414	NRVA02D-101X	MF R	100Ω 1/10W D
R1415	NRSA02J-562X	MG R	5.6kΩ 1/10W J
R1416	NRSA02J-101X	MG R	100Ω 1/10W J
R1417	NRSA02J-223X	MG R	22kΩ 1/10W J
R1418	NRSA02J-682X	MG R	6.8kΩ 1/10W J
R1419	NRSA02J-562X	MG R	5.6kΩ 1/10W J
R1420	NRSA02J-183X	MG R	18kΩ 1/10W J
R1501	NRSA02J-621X	MG R	620Ω 1/10W J
R1502	NRSA02J-103X	MG R	10kΩ 1/10W J
R1503	NRSA02J-104X	MG R	100kΩ 1/10W J
R1504	NRSA02J-822X	MG R	8.2kΩ 1/10W J
R1505-06	NRSA02J-221X	MG R	220Ω 1/10W J
R1507	NRSA02J-102X	MG R	1kΩ 1/10W J
R1508-09	NRSA02J-223X	MG R	22kΩ 1/10W J
R1511	NRSA02J-0R0X	MG R	0.0Ω 1/10W J
R1514	NRSA02J-472X	MG R	4.7kΩ 1/10W J
R1516	NRSA02J-222X	MG R	2.2kΩ 1/10W J
R1517	NRSA02J-472X	MG R	4.7kΩ 1/10W J
R1518	NRSA02J-682X	MG R	6.8kΩ 1/10W J
R1519	NRSA02J-562X	MG R	5.6kΩ 1/10W J
R1520	NRSA02J-152X	MG R	1.5kΩ 1/10W J
R1571	NRSA02J-101X	MG R	100Ω 1/10W J
R1572	NRSA02J-133X	MG R	13kΩ 1/10W J
R1573	NRSA02J-821X	MG R	820Ω 1/10W J
R1608-09	NRSA02J-822X	MG R	8.2kΩ 1/10W J
R1610-11	NRSA02J-103X	MG R	10kΩ 1/10W J
R1633	NRSA02J-273X	MG R	27kΩ 1/10W J
R1635	NRSA02J-561X	MG R	560Ω 1/10W J
R1638	NRSA02J-473X	MG R	47kΩ 1/10W J
R1639	NRSA02J-103X	MG R	10kΩ 1/10W J
R1642	QRK126J-4R7X	C R	4.7Ω 1/2W J
R1644	NRSA02J-561X	MG R	560Ω 1/10W J

Symbol No.	Part No.	Part Name	Description
<b>RESISTOR</b>			
R1645	QRK126J-4R7X	C R	4.7Ω 1/2W J
R1648	NRSA02J-104X	MG R	100kΩ 1/10W J
R1690	QRG01GJ-270	OM R	27Ω 1W J
R1701	NRSA02J-221X	MG R	220Ω 1/10W J
R1703	NRSA02J-273X	MG R	27kΩ 1/10W J
R1704	NRSA02J-473X	MG R	47kΩ 1/10W J
R1705	NRSA02J-102X	MG R	1kΩ 1/10W J
R1706	NRSA02J-223X	MG R	22kΩ 1/10W J
R1707-10	NRSA02J-103X	MG R	10kΩ 1/10W J
R1713-14	NRSA02J-102X	MG R	1kΩ 1/10W J
R1716	NRSA02J-102X	MG R	1kΩ 1/10W J
R1717	NRSA02J-104X	MG R	100kΩ 1/10W J
R1718-19	NRSA02J-682X	MG R	6.8kΩ 1/10W J
R1720	NRSA02J-472X	MG R	4.7kΩ 1/10W J
R1722	NRSA02J-472X	MG R	4.7kΩ 1/10W J
R1724-25	NRSA02J-472X	MG R	4.7kΩ 1/10W J
R1727	NRSA02J-472X	MG R	4.7kΩ 1/10W J
R1729-31	NRSA02J-221X	MG R	220Ω 1/10W J
R1740	NRSA02J-331X	MG R	330Ω 1/10W J
R1745	NRSA02J-472X	MG R	4.7kΩ 1/10W J
R1747	NRSA02J-472X	MG R	4.7kΩ 1/10W J
R1748-52	NRSA02J-221X	MG R	220Ω 1/10W J
R1753	NRSA02J-102X	MG R	1kΩ 1/10W J
R1755	NRSA02J-102X	MG R	1kΩ 1/10W J
R1756	NRSA02J-103X	MG R	10kΩ 1/10W J
R1759	NRSA02J-472X	MG R	4.7kΩ 1/10W J
R1763	NRSA02J-103X	MG R	10kΩ 1/10W J
R1764-66	NRSA02J-221X	MG R	220Ω 1/10W J
R1767	NRSA02J-103X	MG R	10kΩ 1/10W J
R1770	NRSA02J-272X	MG R	2.7kΩ 1/10W J
R1771-73	NRSA02J-222X	MG R	2.2kΩ 1/10W J
R1774-75	NRSA02J-333X	MG R	33kΩ 1/10W J
R1777-79	NRSA02J-222X	MG R	2.2kΩ 1/10W J
R1780	NRSA02J-102X	MG R	1kΩ 1/10W J
R1784-85	NRSA02J-223X	MG R	22kΩ 1/10W J
R1786	NRSA02J-473X	MG R	47kΩ 1/10W J
R1787	NRSA02J-332X	MG R	3.3kΩ 1/10W J
R1788	NRSA02J-272X	MG R	2.7kΩ 1/10W J
R1789	NRSA02J-473X	MG R	47kΩ 1/10W J
R1790	NRSA02J-682X	MG R	6.8kΩ 1/10W J
R1801	NRSA02J-333X	MG R	33kΩ 1/10W J
R1802	NRSA02J-222X	MG R	2.2kΩ 1/10W J
R1805	NRSA02J-332X	MG R	3.3kΩ 1/10W J
R1806	NRSA02J-184X	MG R	180kΩ 1/10W J
R1871	NRSA02J-102X	MG R	1kΩ 1/10W J
R1872-73	NRSA02J-222X	MG R	2.2kΩ 1/10W J
R1874	NRSA02J-272X	MG R	2.7kΩ 1/10W J
R1875	NRSA02J-104X	MG R	100kΩ 1/10W J
R1876	NRSA02J-102X	MG R	1kΩ 1/10W J
R1877	NRSA02J-393X	MG R	39kΩ 1/10W J
R1878-80	NRSA02J-152X	MG R	1.5kΩ 1/10W J
R1881-82	NRSA02J-331X	MG R	330Ω 1/10W J
R1883	NRSA02J-102X	MG R	1kΩ 1/10W J
R1884	NRSA02J-331X	MG R	330Ω 1/10W J
<b>CAPACITOR</b>			
C1001	NCB21HK-222X	C CAP.	2200pF 50V K
C1003	NCB21EK-104X	C CAP.	0.1μF 25V K
C1004	QETN1CM-108Z	E CAP.	1000μF 16V M
C1005	QETN1CM-107Z	E CAP.	100μF 16V M
C1006	QETN1HM-106Z	E CAP.	10μF 50V M
C1007	NCB21HK-104X	CHIP CAP.	0.1μF 50V K
C1008	QETN1HM-106Z	E CAP.	10μF 50V M
C1009	NCB21EK-104X	C CAP.	0.1μF 25V K
C1010	QETN1CM-107Z	E CAP.	100μF 16V M
C1301	NCB21EK-104X	C CAP.	0.1μF 25V K

AV28WT5EKS

△ Symbol No.	Part No.	Part Name	Description
<b>CAPACITOR</b>			
C1302	NCB21HK-823X	CHIP CAP.	0.082µF 50V K
C1303	QETN1EM-476Z	E CAP.	47µF 25V M
C1304	NCB21HK-103X	C CAP.	0.01µF 50V K
C1305	QETN1CM-107Z	E CAP.	100µF 16V M
C1306	NCB21HK-103X	C CAP.	0.01µF 50V K
C1307	QETN1CM-477Z	E CAP.	470µF 16V M
C1308	NDC21HJ-120X	C CAP.	12pF 50V J
C1309	QETN1HM-475Z	E CAP.	4.7µF 50V M
C1310	NCB21HK-103X	C CAP.	0.01µF 50V K
C1311	QETN1HM-106Z	E CAP.	10µF 50V M
C1312	NDC21HJ-680X	C CAP.	68pF 50V J
C1313	QETN1CM-107Z	E CAP.	100µF 16V M
C1314	NCB21HK-103X	C CAP.	0.01µF 50V K
C1315	QETN1HM-106Z	E CAP.	10µF 50V M
C1319	QETN1CM-107Z	E CAP.	100µF 16V M
C1320	NCB21HK-103X	C CAP.	0.01µF 50V K
C1321-23	NCB21EK-104X	C CAP.	0.1µF 25V K
C1324-26	QETN1HM-105Z	E CAP.	1µF 50V M
C1327	QETN1HM-475Z	E CAP.	4.7µF 50V M
C1328	QETN1CM-107Z	E CAP.	100µF 16V M
C1329	QETN1EM-476Z	E CAP.	47µF 25V M
C1331	QETN1HM-105Z	E CAP.	1µF 50V M
C1332	NCB21HK-103X	C CAP.	0.01µF 50V K
C1333	NCB21EK-104X	C CAP.	0.1µF 25V K
C1401	QETN1HM-105Z	E CAP.	1µF 50V M
C1403-05	NCB21HK-103X	C CAP.	0.01µF 50V K
C1406	QFV71HJ-184Z	MF CAP.	0.18µF 50V J
C1407	QFV71HJ-824Z	MF CAP.	0.82µF 50V J
C1408	NCB21HK-153X	C CAP.	0.015µF 50V K
C1501	QETN1CM-107Z	E CAP.	100µF 16V M
C1502-04	NCB21HK-103X	C CAP.	0.01µF 50V K
C1505	NCB21HK-332X	C CAP.	3300pF 50V K
C1506	QETN1HM-335Z	E CAP.	3.3µF 50V M
C1507	NCB21HK-103X	C CAP.	0.01µF 50V K
C1508	QETN1CM-108Z	E CAP.	1000µF 16V M
C1509	NCB21HK-823X	CHIP CAP.	0.082µF 50V K
C1510-11	NCB21HK-103X	C CAP.	0.01µF 50V K
C1512	QTMN1HM-105Z	E CAP.	0.1µF 25V M
C1513	QETN1CM-228	E CAP.	2200µF 16V M
C1514	NCB21HK-103X	C CAP.	0.01µF 50V K
C1515	QFV71HJ-394Z	MF CAP.	0.39µF 50V J
C1516	NCB21HK-103X	C CAP.	0.01µF 50V K
C1571	NCB21HK-103X	C CAP.	0.01µF 50V K
C1605	QETN1HM-106Z	E CAP.	10µF 50V M
C1606	QETN1EM-227Z	E CAP.	220µF 25V M
C1622-23	QETN1CM-227Z	E CAP.	220µF 16V M
C1624	QETN1EM-476Z	E CAP.	47µF 25V M
C1626	QENC1EM-107Z	BP E CAP.	100µF 25V M
C1627	QETN1EM-228	E CAP.	2200µF 25V M
C1629	QENC1EM-107Z	BP E CAP.	100µF 25V M
C1631	QETN1EM-476Z	E CAP.	47µF 25V M
C1632	NCS21HJ-221X	C CAP.	220pF 50V J
C1633-34	QFV71HJ-104Z	MF CAP.	0.1µF 50V J
C1635-36	QETN1EM-108Z	E CAP.	1000µF 25V M
C1637-38	QFV71HJ-104Z	MF CAP.	0.1µF 50V J
C1639	QETN1HM-106Z	E CAP.	10µF 50V M
C1640	NCS21HJ-221X	C CAP.	220pF 50V J
C1641	QETN1HM-226Z	E CAP.	22µF 50V M
C1668	NCB21EK-104X	C CAP.	0.1µF 25V K
C1671	QETN1CM-107Z	E CAP.	100µF 16V M
C1672	NCB21EK-104X	C CAP.	0.1µF 25V K
C1701	NCF21CZ-105X	C CAP.	1µF 16V Z
C1703	QETN1EM-476Z	E CAP.	47µF 25V M
C1704	NCB21EK-104X	C CAP.	0.1µF 25V K
C1705	QETN1AM-107Z	E CAP.	100µF 10V M
C1706	NCB21EK-104X	C CAP.	0.1µF 25V K
C1707	QETN1HM-474Z	E CAP.	0.47µF 50V M
C1708	QETN1EM-476Z	E CAP.	47µF 25V M
C1709-10	NDC21HJ-9R0X	C CAP.	9.0pF 50V J
C1711	NCB21EK-104X	C CAP.	0.1µF 25V K
C1712	NDC21HJ-151X	C CAP.	150pF 50V J
C1716-17	QETN1HM-105Z	E CAP.	1µF 50V M

△ Symbol No.	Part No.	Part Name	Description
<b>CAPACITOR</b>			
C1718	NCB21HK-333X	C CAP.	0.033µF 50V K
C1725	NCB21HK-102X	C CAP.	1000pF 50V K
C1871	NCB21EK-104X	C CAP.	0.1µF 25V K
C1872	NCB21HK-223X	C CAP.	0.022µF 50V K
C1873	NDC21HJ-221X	C CAP.	220pF 50V J
C1874-75	NDC21HJ-150X	C CAP.	15pF 50V J
C1876	NCB21HK-102X	C CAP.	1000pF 50V K
C1877	NCB21EK-104X	C CAP.	0.1µF 25V K
C1878	NCB21HK-102X	C CAP.	1000pF 50V K
C1879	NDC21HJ-221X	C CAP.	220pF 50V J
C1880	QETN1AM-477Z	E CAP.	470µF 10V M
C1881	NCB21EK-104X	C CAP.	0.1µF 25V K
C1882	QETN1EM-476Z	E CAP.	47µF 25V M
C1883	NCB21HK-103X	C CAP.	0.01µF 50V K
C1884-85	NCB21EK-104X	C CAP.	0.1µF 25V K
C1886	NCB21HK-103X	C CAP.	0.01µF 50V K
C1887-89	QETN1HM-106Z	E CAP.	10µF 50V M
<b>COIL</b>			
L1001	QQL244K-5R6Z	PEAKING COIL	5.6µH
L1002	QQL244K-270Z	PEAKING COIL	27µH
L1301-02	QQL244K-4R7Z	PEAKING COIL	4.7µH
L1305	QQL244K-4R7Z	PEAKING COIL	4.7µH
L1501	QQL244J-151Z	PEAKING COIL	150µH
L1701	QQL244K-4R7Z	PEAKING COIL	4.7µH
L1702	QQL244K-3R9Z	PEAKING COIL	
L1871	QQL244K-4R7Z	PEAKING COIL	4.7µH
<b>DIODE</b>			
D1301	MA3051/M/-X	ZENER DIODE	
D1302-04	MA111-X	SI DIODE	
D1503	RB100A-T2	SI DIODE	
D1602	MA111-X	SI DIODE	
D1608	MA111-X	SI DIODE	
D1612	MA111-X	SI DIODE	
D1624-25	MA111-X	SI DIODE	
D1701	MA3068/M/-X	ZENER DIODE	
D1702	MA111-X	SI DIODE	
D1704	MA111-X	SI DIODE	
D1705	MA3036-X	ZENER DIODE	
D1706-08	MA111-X	SI DIODE	
D1710	MA111-X	SI DIODE	
<b>TRANSISTOR</b>			
Q1301-02	2SA1037AK/QR/-X	SI TRANSISTOR	
Q1311	DTC124EKA-X	DIGI. TRANSISTOR	
Q1312	2SA1037AK/QR/-X	SI TRANSISTOR	
Q1401	DTC124EKA-X	DIGI. TRANSISTOR	
Q1402	2SC2412K/QR/-X	SI TRANSISTOR	
Q1604	2SA1037AK/QR/-X	SI TRANSISTOR	
Q1609	2SA1037AK/QR/-X	SI TRANSISTOR	
Q1610	DTC323TK-X	DIGI. TRANSISTOR	
Q1612	DTC323TK-X	DIGI. TRANSISTOR	
Q1701-04	2SC2412K/QR/-X	SI TRANSISTOR	
Q1705	2SA1037AK/QR/-X	SI TRANSISTOR	
Q1708	2SA1037AK/QR/-X	SI TRANSISTOR	
Q1709-10	2SC2412K/QR/-X	SI TRANSISTOR	
Q1871	2SA1037AK/QR/-X	SI TRANSISTOR	
Q1872	2SC2412K/QR/-X	SI TRANSISTOR	
<b>IC</b>			
IC1301	TB1227CN	I C	
IC1302	TC4053BP/W/	I. C. (DIGI-MOS)	
IC1501	AN5441SA-W	I C	
IC1601	LA4446	I. C. (MONO-ANA)	
IC1607	BA05T	I. C. (MONO-ANA)	
IC1701	M37280MK-207SP	I C	
IC1702	AT24C16-28WT5	I. C.	(SERVICE)
IC1703	L78LR05E-MA	I. C. (MONO-ANA)	
IC1871	ET417	I. C. (M)	
IC1872	ET206	I. C. (M)	

Symbol No.	Part No.	Part Name	Description
<b>OTHERS</b>			
CN1001	QGF1220C2-19	FFC/FPC CONNECTO	
K1001	QQR0621-002Z	BEADS CORE	
K1004	QQR0621-002Z	BEADS CORE	
K1307	QQR0621-002Z	BEADS CORE	
K1872	QQL244K-3R3Z	PEAKING COIL	
LC1301	CE42142-222Z	EMI FILTER	
TU1001	QAU0189-002	TUNER	
X1301	QAX0305-001Z	CRYSTAL	
X1701	CST8.00MTW	CER. RESONATOR	
X1871	CE41257-001Z	CRYSTAL	

### ■ POWER & DEF. P.W. BOARD ASS'Y (SJK-2512A-U2)

Refer to PARTS LIST in page 46 for this P.W. board.

### ■ CRT SOCKET P.W. BOARD ASS'Y (SJK-3512A-U2)

Refer to PARTS LIST in page 48 for this P.W. board.

### ■ FRONT CONTROL P.W. BOARD ASS'Y (SJK-8512A-U2)

Refer to PARTS LIST in page 48 for this P.W. board.

### ■ AV SEL. P.W. BOARD ASS'Y (SJK0S912A-U2)

Symbol No.	Part No.	Part Name	Description
<b>RESISTOR</b>			
R0606	QRG01GJ-181	OM R	180Ω 1W J
R0607	NRSA02J-123X	MG R	12kΩ 1/10W J
R0608	NRSA02J-181X	MG R	180Ω 1/10W J
R0609	NRSA02J-123X	MG R	12kΩ 1/10W J
R0610	NRSA02J-122X	MG R	1.2kΩ 1/10W J
R0614	NRSA02J-103X	MG R	10kΩ 1/10W J
R0615	NRSA02J-101X	MG R	100Ω 1/10W J
R0617	NRSA02J-102X	MG R	1kΩ 1/10W J
R0618	NRSA02J-332X	MG R	3.3kΩ 1/10W J
R0620	NRSA02J-333X	MG R	33kΩ 1/10W J
R0622	NRSA02J-103X	MG R	10kΩ 1/10W J
R0623	NRSA02J-102X	MG R	1kΩ 1/10W J
R0628	NRSA02J-0R0X	MG R	0.0Ω 1/10W J
R0629-31	NRSA02J-101X	MG R	100Ω 1/10W J
R0632	NRSA02J-332X	MG R	3.3kΩ 1/10W J
R0633	NRSA02J-221X	MG R	220Ω 1/10W J
R0634-35	NRSA02J-332X	MG R	3.3kΩ 1/10W J
R0647-48	NRSA02J-101X	MG R	100Ω 1/10W J
R0651	NRSA02J-122X	MG R	1.2kΩ 1/10W J
<b>CAPACITOR</b>			
C0101	NDC21HJ-151X	C CAP.	150pF 50V J
C0102	QETN1CM-477Z	E CAP.	470μF 16V M
C0103-05	QETN1HM-106Z	E CAP.	10μF 50V M
C0106	NCB21HK-472X	C CAP.	4700pF 50V K
C0107	NCB21HK-152X	C CAP.	1500pF 50V K
C0108	NCB21HK-472X	C CAP.	4700pF 50V K
C0109	NCB21HK-152X	C CAP.	1500pF 50V K
C0110	QETN1CM-477Z	E CAP.	470μF 16V M
C0111-12	NCB21HK-472X	C CAP.	4700pF 50V K
C0113	NDC21HJ-151X	C CAP.	150pF 50V J
C0114-15	NCB21HK-472X	C CAP.	4700pF 50V K
C0116-17	QETN1HM-106Z	E CAP.	10μF 50V M
C0118	NCB21HK-102X	C CAP.	1000pF 50V K
C0119	QETN1HM-105Z	E CAP.	1μF 50V M
C0120	QETN1HM-106Z	E CAP.	10μF 50V M
C0121	QETN1HM-105Z	E CAP.	1μF 50V M
C0122	NCB21HK-103X	C CAP.	0.01μF 50V K
C0123	NCB21HK-102X	C CAP.	1000pF 50V K
C0124-25	QETN1HM-106Z	E CAP.	10μF 50V M
C0126	QETN1HM-105Z	E CAP.	1μF 50V M
C0127	QETN1HM-106Z	E CAP.	10μF 50V M
C0128	QETN1HM-105Z	E CAP.	1μF 50V M
C0129	QETN1HM-106Z	E CAP.	10μF 50V M
C0130	QETN1HM-105Z	E CAP.	1μF 50V M
C0131	NCB21HK-102X	C CAP.	1000pF 50V K
C0132	QETN1HM-105Z	E CAP.	1μF 50V M
C0133	NCB21HK-103X	C CAP.	0.01μF 50V K
C0136	QETN1HM-106Z	E CAP.	10μF 50V M
C0137	QENC1EM-106Z	BP E CAP.	10μF 25V M
C0139	QENC1EM-106Z	BP E CAP.	10μF 25V M
C0140	QETN1CM-107Z	E CAP.	100μF 16V M
C0141	NCB21HK-103X	C CAP.	0.01μF 50V K
C0142	QENC1HM-105Z	BP E CAP.	1μF 50V M
C0143	QENC1EM-106Z	BP E CAP.	10μF 25V M
C0144	QENC1HM-105Z	BP E CAP.	1μF 50V M
C0145-46	QETN1CM-107Z	E CAP.	100μF 16V M
C0147	QETN1CM-477Z	E CAP.	470μF 16V M
C0149	NCB21HK-103X	C CAP.	0.01μF 50V K
C0150-51	QETN1HM-106Z	E CAP.	10μF 50V M
C0152-53	QETN1HM-105Z	E CAP.	1μF 50V M
C0154-55	NDC21HJ-680X	C CAP.	68pF 50V J
C0157-58	NDC21HJ-680X	C CAP.	68pF 50V J
C0159	NDC21HJ-561X	C CAP.	560pF 50V J
C0160	NDC21HJ-102X	C CAP.	1000pF 50V J
C0161	NDC21HJ-680X	C CAP.	68pF 50V J
C0610	NDC21HJ-821X	C CAP.	820pF 50V J
C0611-12	NDC21HJ-470X	C CAP.	47pF 50V J
C0614	NDC21HJ-180X	C CAP.	18pF 50V J
C0616	QETN1CM-107Z	E CAP.	100μF 16V M
C0617	NCB21EK-104X	C CAP.	0.1μF 25V K
C0618	QETN1HM-106Z	E CAP.	10μF 50V M

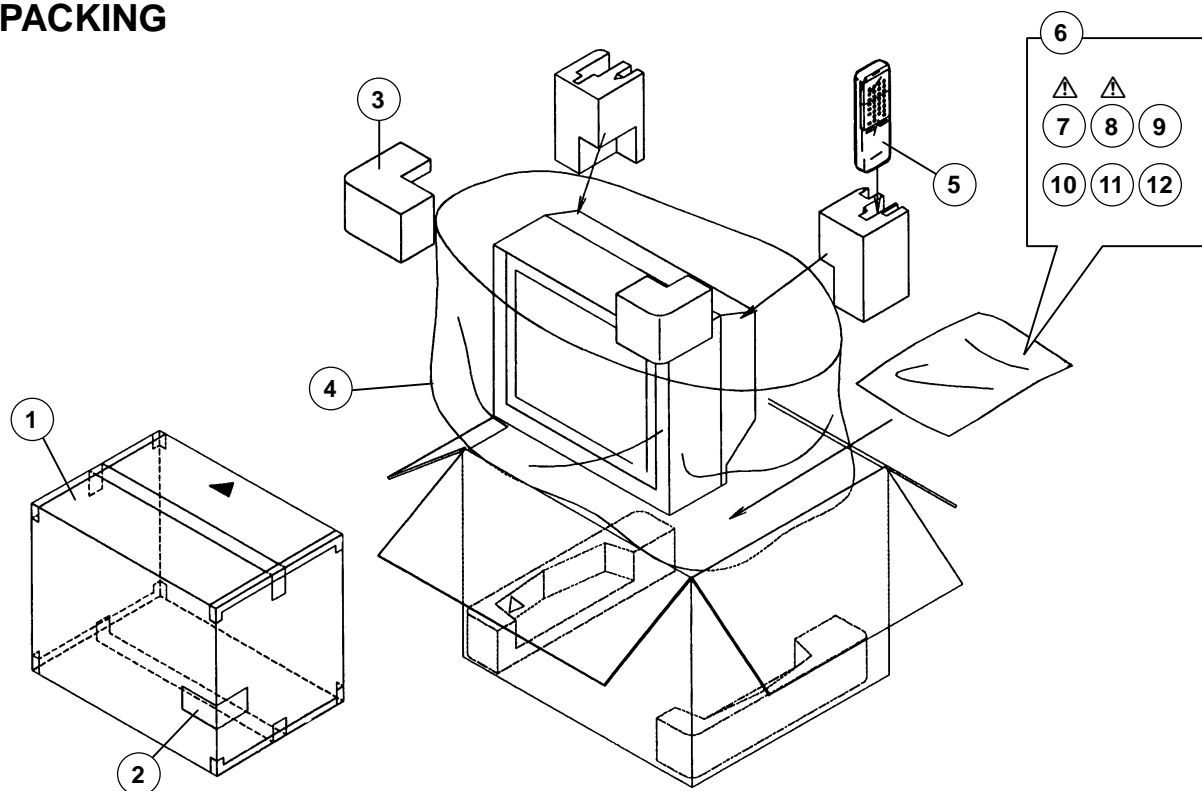
AV28WT5EKS

Symbol No.	Part No.	Part Name	Description
<b>CAPACITOR</b>			
C0619	NCB21EK-104X	C CAP.	0.1uF 25V K
C0620	QETN1HM-106Z	E CAP.	10uF 50V M
C0621-22	QENC1HM-105Z	BP E CAP.	1uF 50V M
C0623	NCB21EK-104X	C CAP.	0.1uF 25V K
C0624	QETN1HM-106Z	E CAP.	10uF 50V M
C0625	QETN1CM-227Z	E CAP.	220uF 16V M
C0626	NCB21HK-153X	C CAP.	0.015uF 50V K
C0627	QENC1HM-105Z	BP E CAP.	1uF 50V M
C0628	NCB21HK-223X	C CAP.	0.022uF 50V K
C0629	QETN1HM-106Z	E CAP.	10uF 50V M
C0630-31	NCB21HK-102X	C CAP.	1000pF 50V K
C0632	NCB21EK-104X	C CAP.	0.1uF 25V K
C0633	QETN1HM-106Z	E CAP.	10uF 50V M
C0634-35	NCB21HK-103X	C CAP.	0.01uF 50V K
C0636	NDC21HJ-2R0X	C CAP.	2.0pF 50V J
C0637	NCB21HK-222X	C CAP.	2200pF 50V K
C0638	QETN1CM-336Z	E CAP.	33uF 16V M
C0639	NCB21HK-153X	C CAP.	0.015uF 50V K
C0640	NCB21HK-223X	C CAP.	0.022uF 50V K
C0641	NCB21HK-222X	C CAP.	2200pF 50V K
C0642	NDC21HJ-2R0X	C CAP.	2.0pF 50V J
C0643	QENC1HM-105Z	BP E CAP.	1uF 50V M
C0645	NCB21HK-103X	C CAP.	0.01uF 50V K
C0646	NCB21EK-104X	C CAP.	0.1uF 25V K
C0647	QETN1CM-107Z	E CAP.	100uF 16V M
C0648	NCB21EK-104X	C CAP.	0.1uF 25V K
C0659-60	QENC1HM-105Z	BP E CAP.	1uF 50V M
C0677-78	NCB21HK-102X	C CAP.	1000pF 50V K
<b>COIL</b>			
L0114	QQR0716-001Z	LEAD CORE	
L0601	QQL244K-220Z	PEAKING COIL	22uH
L0602	QQL244K-180Z	PEAKING COIL	18uH
L0604	QQL244K-100Z	PEAKING COIL	10uH
L0605	QQL244K-4R7Z	PEAKING COIL	4.7uH
<b>DIODE</b>			
D0101-13	MA3120/M/-X	ZENER DIODE	
D0601	RD8.2E/B2/-T2	ZENER DIODE	
<b>TRANSISTOR</b>			
Q0101	DTC323TK-X	DIGI. TRANSISTOR	
Q0102	2SA1037AK/QR/-X	SI. TRANSISTOR	
Q0103	DTC323TK-X	DIGI. TRANSISTOR	
Q0104-07	2SC2412K/QR/-X	SI. TRANSISTOR	
Q0108	2SA1037AK/QR/-X	SI. TRANSISTOR	
Q0109-10	DTC323TK-X	DIGI. TRANSISTOR	
Q0111-12	2SC2412K/QR/-X	SI. TRANSISTOR	
Q0116	2SA933AS/QR/-T	SI. TRANSISTOR	
Q0118	2SC1740S/QR/-T	SI. TRANSISTOR	
Q0119-20	2SC2412K/QR/-X	SI. TRANSISTOR	
Q0601	2SC2412K/QR/-X	SI. TRANSISTOR	
<b>IC</b>			
IC0101	CXA2089Q-X	I C	
IC0602	BA4558F-X	I. C. (MONO-ANA)	
IC0603	MSP3415D-QG-B3X	IC	
<b>OTHERS</b>			
J0001	QN20465-001	PIN CONNECTOR	
J0002	QN20463-001	PIN CONNECTOR	
K0101-04	CE42681-001Y	BEADS CORE	
K0601	QQR0621-002Z	BEADS CORE	
LC0601-02	CE42482-103Y	EMI FILTER	
X0601	CE42546-001Z	CRYSTAL	



## AV28WT5EPS / AV28WT5EIS / AV28WT5EKS

### PACKING



### PACKING PARTS LIST

#### AV28WT5EPS

△ Ref.No.	Part No.	Part Name	Description
1	AEM1002-B67-E	EURO BOX	
2	AEM1052-031-E	EURO LABEL	
3	LC10522-002B-U	CUSHION ASSY	6pcs in 1set
4	AEM1047-003-E	POLY BAG	
5	RM-C54-1C	REMOCON UNIT	
6	AEM3021-002-E	POLY BAG	
△ 7	LCT0897-001A-U	INST BOOK	
△ 8	LCT0898-001A-U	INST BOOK	
9	BT-54013-1E	WARRANTY CARD	
10	AEM1061-001-E	X-RAY CARD	
11	2824WT5-HSAEI	S.DIAGRAM	(SERVICE)

#### AV28WT5EIS

1	AEM1002-B67-E	EURO BOX	
2	AEM1052-030-E	EURO LABEL	
3	LC10522-002B-U	CUSHION ASSY	6pcs in 1set
4	AEM1047-003-E	POLY BAG	
5	RM-C55-1C	REMOCON UNIT	
6	AEM3021-002-E	POLY BAG	
△ 7	LCT0900-001A-U	INST BOOK	
9	BT-54013-1E	WARRANTY CARD	

#### AV28WT5EKS

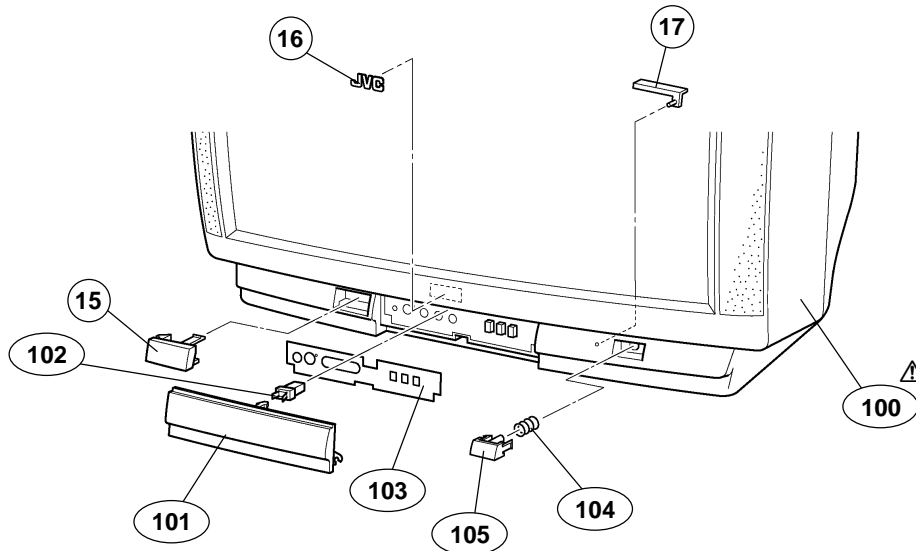
1	AEM1002-C50-E	EURO BOX	
2	AEM1052-029-E	EURO LABEL	
3	LC10522-002B-U	CUSHION ASSY	6pcs in 1set
4	AEM1047-003-E	POLY BAG	
5	RM-C55-1C	REMOCON UNIT	
6	AEM3021-002-E	POLY BAG	
△ 7	LCT0899-001A-U	INST BOOK	
9	BT-54013-1E	WARRANTY CARD	
12	AEM3148-001-E	REG SHEET	

## AV24WT5EPS / AV24WT5EIS / AV24WT5EKS

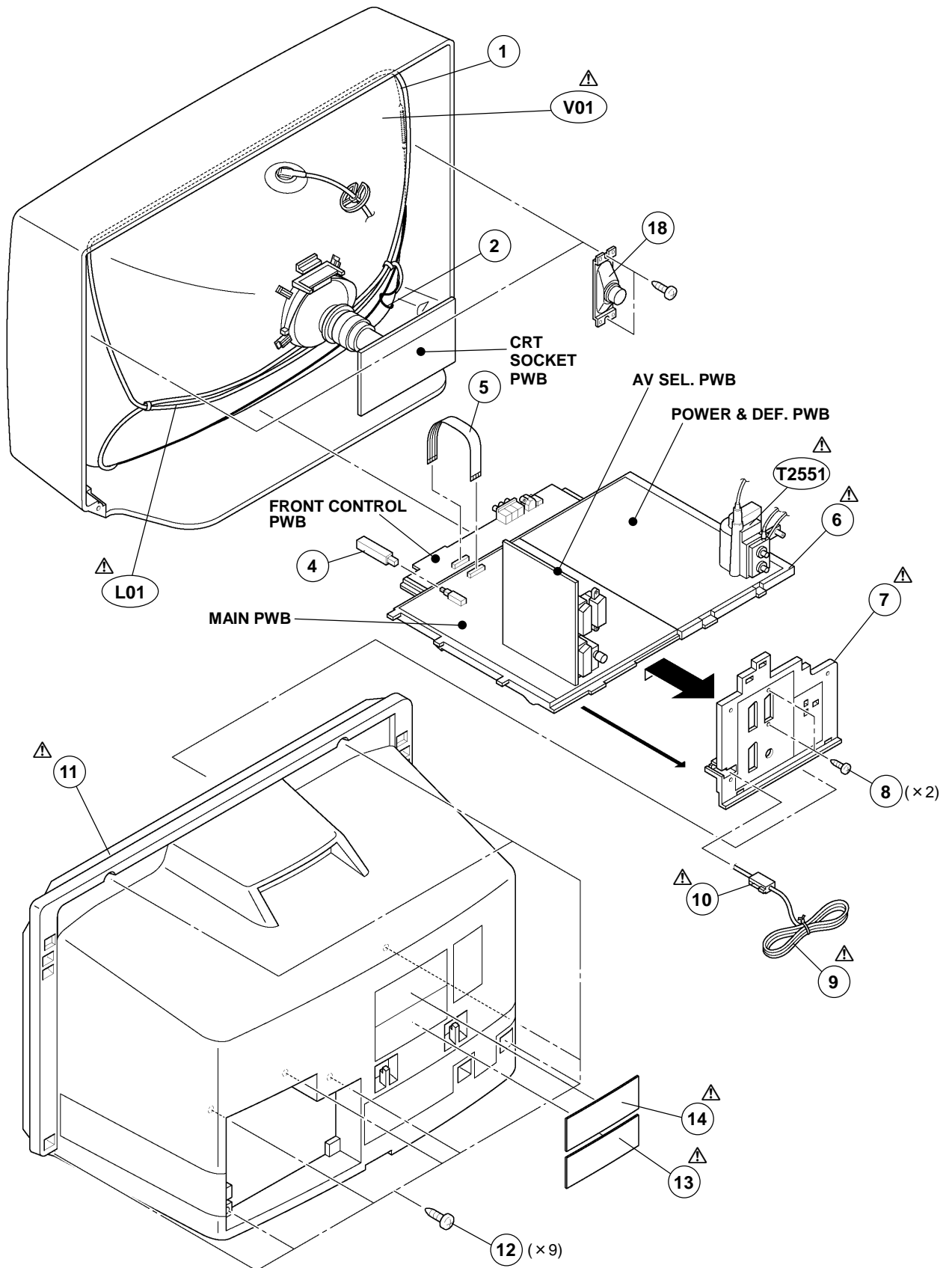
### EXPLODED VIEW PARTS LIST

△ Ref.No.	Part No.	Part Name	Description
△ V01	W56ECK001X03	CRT	Inc.DY.PC MAGNET,WEDGE
△ L01	QQW0051-001	DEG.COIL	
△ T2551	QQH0093-001	FB TRANSF.	
1	CHGB0029-0A	BRAIDED ASSY	
2	CHGB0017-0B	BRAIDED SUB ASSY	
4	CM36597-001-E	KNOB CAP	
5	CHFB119-06BD	FFC WIRE	
△ 6	LC11019-001B-U	CHASSIS BASE	
△ 7	LC11010-002C-U	AV BOARD	
8	QYSBSB3012M	TAPPING SCREW	(×2)
△ 9	QMPK160-185-JC	POWER CORD	(CN-PW) [AV24WT5EPS]
△ 9	QMPN130-185-JC	POWER CORD	(CN-PW) [AV24WT5EIS] [AV24WT5EKS]
△ 10	CM46618-A01-E	POWER CORD CLAMP	
△ 11	CM12675-A05-E	REAR COVER	
12	QYSBSAG4016N	TAPPING SCREW	(×9)
△ 13	LC20433-007A-U	RATING LABEL	[AV24WT5EPS]
△ 14	LC20434-007A-U	RATING LABEL	[AV24WT5EPS]
△ 14	LC20080-014A-U	RATING LABEL	[AV24WT5EIS]
△ 14	LC20091-022A-U	RATING LABEL	[AV24WT5EKS]
15	CM48076-A01	CDS WINDOW	
16	CM48263-002-E	JVC MARK	
17	CM36223-A01	LED LENS	
18	QAS0043-001	SPEAKER	(×2)SP01,SP02
△ 100	CM12673-00H-E	F.CABINET ASSY	Inc.No.101~105
101	CM22897-008-E	DOOR	(SERVICE)
102	CM48229-00A-C	DOOR LATCH	
103	CM36224-020-E	OPERATION SHEET	
104	AEM3149-001-E	SPRING	
105	CM36225-014-E	POWER KNOB	(SERVICE)

### EXPLODED VIEW



# AV24WT5EPS / AV24WT5EIS / AV24WT5EKS



# AV24WT5EPS / AV24WT5EIS

## PRINTED WIRING BOARD PARTS LIST

### ■ MAIN P.W. BOARD ASS'Y (SJK-1713A-U2)

Symbol No.	Part No.	Part Name	Description
<b>RESISTOR</b>			
R1001	NRSA02J-102X	MG R	1kΩ 1/10W J
R1002-03	NRSA02J-0R0X	MG R	0.0Ω 1/10W J
R1004-06	NRSA02J-102X	MG R	1kΩ 1/10W J
R1007	NRSA02J-104X	MG R	100kΩ 1/10W J
R1008	NRSA02J-0R0X	MG R	0.0Ω 1/10W J
R1009-10	NRSA02J-104X	MG R	100kΩ 1/10W J
R1304	QRG01GJ-121	OM R	120Ω 1W J
R1305	NRSA02J-562X	MG R	5.6kΩ 1/10W J
R1306	NRSA02J-222X	MG R	2.2kΩ 1/10W J
R1307	NRSA02J-102X	MG R	1kΩ 1/10W J
R1308	NRSA02J-471X	MG R	470Ω 1/10W J
R1309	NRSA02J-222X	MG R	2.2kΩ 1/10W J
R1310-11	NRSA02J-391X	MG R	390Ω 1/10W J
R1312-13	NRSA02J-101X	MG R	100Ω 1/10W J
R1314	NRSA02J-562X	MG R	5.6kΩ 1/10W J
R1316	NRSA02J-224X	MG R	220kΩ 1/10W J
R1317	NRSA02J-101X	MG R	100Ω 1/10W J
R1318-21	NRSA02J-102X	MG R	1kΩ 1/10W J
R1327	NRSA02J-471X	MG R	470Ω 1/10W J
R1328-29	NRSA02J-102X	MG R	1kΩ 1/10W J
R1330	NRSA02J-472X	MG R	4.7kΩ 1/10W J
R1331	NRSA02J-333X	MG R	33kΩ 1/10W J
R1332-33	NRSA02J-222X	MG R	2.2kΩ 1/10W J
R1335	NRSA02J-273X	MG R	27kΩ 1/10W J
R1340-41	NRSA02J-333X	MG R	33kΩ 1/10W J
R1342	NRSA02J-152X	MG R	1.5kΩ 1/10W J
R1343	NRSA02J-272X	MG R	2.7kΩ 1/10W J
R1344	NRSA02J-471X	MG R	470Ω 1/10W J
R1345	NRSA02J-102X	MG R	1kΩ 1/10W J
R1346	NRSA02J-223X	MG R	22kΩ 1/10W J
R1401-02	NRSA02J-103X	MG R	10kΩ 1/10W J
R1403	NRSA02J-102X	MG R	1kΩ 1/10W J
R1404	NRSA02J-183X	MG R	18kΩ 1/10W J
R1405	NRSA02J-223X	MG R	22kΩ 1/10W J
R1409	NRSA02J-0R0X	MG R	0.0Ω 1/10W J
R1411	NRVA02D-473X	MF R	47kΩ 1/10W D
R1413	NRVA02D-223X	MF R	22kΩ 1/10W D
R1414	NRVA02D-101X	MF R	100Ω 1/10W D
R1415	NRSA02J-562X	MG R	5.6kΩ 1/10W J
R1416	NRSA02J-101X	MG R	100Ω 1/10W J
R1417	NRSA02J-223X	MG R	22kΩ 1/10W J
R1418	NRSA02J-153X	MG R	15kΩ 1/10W J
R1419	NRSA02J-102X	MG R	1kΩ 1/10W J
R1420	NRSA02J-183X	MG R	18kΩ 1/10W J
R1501	NRSA02J-621X	MG R	620Ω 1/10W J
R1502	NRSA02J-103X	MG R	10kΩ 1/10W J
R1503	NRSA02J-104X	MG R	100kΩ 1/10W J
R1504	NRSA02J-822X	MG R	8.2kΩ 1/10W J
R1505-06	NRSA02J-221X	MG R	220Ω 1/10W J
R1507	NRSA02J-102X	MG R	1kΩ 1/10W J
R1508-09	NRSA02J-223X	MG R	22kΩ 1/10W J
R1511	NRSA02J-0R0X	MG R	0.0Ω 1/10W J
R1514	NRSA02J-472X	MG R	4.7kΩ 1/10W J
R1516	NRSA02J-222X	MG R	2.2kΩ 1/10W J
R1517	NRSA02J-472X	MG R	4.7kΩ 1/10W J
R1518	NRSA02J-682X	MG R	6.8kΩ 1/10W J
R1519	NRSA02J-562X	MG R	5.6kΩ 1/10W J
R1520	NRSA02J-152X	MG R	1.5kΩ 1/10W J
R1571	NRSA02J-101X	MG R	100Ω 1/10W J
R1572	NRSA02J-133X	MG R	13kΩ 1/10W J
R1573	NRSA02J-821X	MG R	820Ω 1/10W J
R1608-09	NRSA02J-822X	MG R	8.2kΩ 1/10W J
R1610-11	NRSA02J-103X	MG R	10kΩ 1/10W J
R1633	NRSA02J-273X	MG R	27kΩ 1/10W J
R1635	NRSA02J-561X	MG R	560Ω 1/10W J
R1638	NRSA02J-473X	MG R	47kΩ 1/10W J
R1639	NRSA02J-103X	MG R	10kΩ 1/10W J
R1642	QRK126J-4R7X	C R	4.7Ω 1/2W J

Symbol No.	Part No.	Part Name	Description
<b>RESISTOR</b>			
R1644	NRSA02J-561X	MG R	560Ω 1/10W J
R1645	QRK126J-4R7X	C R	4.7Ω 1/2W J
R1648	NRSA02J-104X	MG R	100kΩ 1/10W J
R1690	QRG01GJ-270	OM R	27Ω 1W J
R1701	NRSA02J-221X	MG R	220Ω 1/10W J
R1703	NRSA02J-273X	MG R	27kΩ 1/10W J
R1704	NRSA02J-473X	MG R	47kΩ 1/10W J
R1705	NRSA02J-102X	MG R	1kΩ 1/10W J
R1706	NRSA02J-223X	MG R	22kΩ 1/10W J
R1707-10	NRSA02J-103X	MG R	10kΩ 1/10W J
R1713-14	NRSA02J-102X	MG R	1kΩ 1/10W J
R1716	NRSA02J-102X	MG R	1kΩ 1/10W J
R1717	NRSA02J-104X	MG R	100kΩ 1/10W J
R1718-19	NRSA02J-682X	MG R	6.8kΩ 1/10W J
R1720	NRSA02J-472X	MG R	4.7kΩ 1/10W J
R1722	NRSA02J-472X	MG R	4.7kΩ 1/10W J
R1724-25	NRSA02J-472X	MG R	4.7kΩ 1/10W J
R1727	NRSA02J-472X	MG R	4.7kΩ 1/10W J
R1729-31	NRSA02J-221X	MG R	220Ω 1/10W J
R1740	NRSA02J-331X	MG R	330Ω 1/10W J
R1743-44	NRSA02J-101X	MG R	100Ω 1/10W J
R1745	NRSA02J-472X	MG R	4.7kΩ 1/10W J
R1747	NRSA02J-472X	MG R	4.7kΩ 1/10W J
R1748-52	NRSA02J-221X	MG R	220Ω 1/10W J
R1753	NRSA02J-102X	MG R	1kΩ 1/10W J
R1755	NRSA02J-102X	MG R	1kΩ 1/10W J
R1756	NRSA02J-103X	MG R	10kΩ 1/10W J
R1759	NRSA02J-472X	MG R	4.7kΩ 1/10W J
R1763	NRSA02J-103X	MG R	10kΩ 1/10W J
R1764-66	NRSA02J-221X	MG R	220Ω 1/10W J
R1767	NRSA02J-103X	MG R	10kΩ 1/10W J
R1770	NRSA02J-272X	MG R	2.7kΩ 1/10W J
R1771-73	NRSA02J-222X	MG R	2.2kΩ 1/10W J
R1774-75	NRSA02J-333X	MG R	33kΩ 1/10W J
R1777-79	NRSA02J-222X	MG R	2.2kΩ 1/10W J
R1780	NRSA02J-102X	MG R	1kΩ 1/10W J
R1784-85	NRSA02J-223X	MG R	22kΩ 1/10W J
R1786	NRSA02J-473X	MG R	47kΩ 1/10W J
R1787	NRSA02J-332X	MG R	3.3kΩ 1/10W J
R1788	NRSA02J-272X	MG R	2.7kΩ 1/10W J
R1789	NRSA02J-473X	MG R	47kΩ 1/10W J
R1790	NRSA02J-682X	MG R	6.8kΩ 1/10W J
R1801	NRSA02J-333X	MG R	33kΩ 1/10W J
R1802	NRSA02J-222X	MG R	2.2kΩ 1/10W J
R1805	NRSA02J-332X	MG R	3.3kΩ 1/10W J
R1806	NRSA02J-184X	MG R	180kΩ 1/10W J
R1871	NRSA02J-102X	MG R	1kΩ 1/10W J
R1872-73	NRSA02J-222X	MG R	2.2kΩ 1/10W J
R1874	NRSA02J-272X	MG R	2.7kΩ 1/10W J
R1875	NRSA02J-104X	MG R	100kΩ 1/10W J
R1876	NRSA02J-102X	MG R	1kΩ 1/10W J
R1877	NRSA02J-393X	MG R	39kΩ 1/10W J
R1878-80	NRSA02J-152X	MG R	1.5kΩ 1/10W J
R1881-82	NRSA02J-331X	MG R	330Ω 1/10W J
R1883	NRSA02J-102X	MG R	1kΩ 1/10W J
R1884	NRSA02J-331X	MG R	330Ω 1/10W J
<b>CAPACITOR</b>			
C1001	NCB21HK-222X	C CAP.	2200pF 50V K
C1003	NCB21EK-104X	C CAP.	0.1μF 25V K
C1004	QETN1CH-108Z	E CAP.	1000μF 16V M
C1005	QETN1CH-107Z	E CAP.	100μF 16V M
C1006	QETN1HM-106Z	E CAP.	10μF 50V M
C1007	NCB21HK-104X	CHIP CAP.	0.1μF 50V K
C1008	QETN1HM-106Z	E CAP.	10μF 50V M
C1009	NCB21EK-104X	C CAP.	0.1μF 25V K
C1010	QETN1CH-107Z	E CAP.	100μF 16V M

Symbol No.	Part No.	Part Name	Description
<b>CAPACITOR</b>			
C1301	NCB21EK-104X	C CAP.	0.1µF 25V K
C1302	NCB21HK-823X	CHIP CAP.	0.082µF 50V K
C1303	QETN1EM-476Z	E CAP.	47µF 25V M
C1304	NCB21HK-103X	C CAP.	0.01µF 50V K
C1305	QETN1CM-107Z	E CAP.	100µF 16V M
C1306	NCB21HK-103X	C CAP.	0.01µF 50V K
C1307	QETN1CM-477Z	E CAP.	470µF 16V M
C1308	NDC21HJ-120X	C CAP.	12pF 50V J
C1309	QETN1HM-475Z	E CAP.	4.7µF 50V M
C1310	NCB21HK-103X	C CAP.	0.01µF 50V K
C1311	QETN1HM-106Z	E CAP.	10µF 50V M
C1312	NDC21HJ-680X	C CAP.	68pF 50V J
C1313	QETN1CM-107Z	E CAP.	100µF 16V M
C1314	NCB21HK-103X	C CAP.	0.01µF 50V K
C1315	QETN1HM-106Z	E CAP.	10µF 50V M
C1319	QETN1CM-107Z	E CAP.	100µF 16V M
C1320	NCB21HK-103X	C CAP.	0.01µF 50V K
C1321-23	NCB21EK-104X	C CAP.	0.1µF 25V K
C1324-26	QETN1HM-105Z	E CAP.	1µF 50V M
C1327	QETN1HM-475Z	E CAP.	4.7µF 50V M
C1328	QETN1CM-107Z	E CAP.	100µF 16V M
C1329	QETN1EM-476Z	E CAP.	47µF 25V M
C1330	NDC21HJ-390X	C CAP.	39pF 50V J
C1331	QETN1HM-105Z	E CAP.	1µF 50V M
C1332	NCB21HK-103X	C CAP.	0.01µF 50V K
C1333	NCB21EK-104X	C CAP.	0.1µF 25V K
C1401	QETN1HM-105Z	E CAP.	1µF 50V M
C1403-05	NCB21HK-103X	C CAP.	0.01µF 50V K
C1406	QFV71HJ-184Z	MF CAP.	0.18µF 50V J
C1407	QFV71HJ-824Z	MF CAP.	0.82µF 50V J
C1408	NCB21HK-153X	C CAP.	0.015µF 50V K
C1501	QETN1CM-107Z	E CAP.	100µF 16V M
C1502-04	NCB21HK-103X	C CAP.	0.01µF 50V K
C1505	NCB21HK-332X	C CAP.	3300pF 50V K
C1506	QETN1HM-335Z	E CAP.	3.3µF 50V M
C1507	NCB21HK-103X	C CAP.	0.01µF 50V K
C1508	QETN1CM-108Z	E CAP.	1000µF 16V M
C1509	NCB21HK-823X	CHIP CAP.	0.082µF 50V K
C1510-11	NCB21HK-103X	C CAP.	0.01µF 50V K
C1512	QTMN1HM-105Z	E CAP.	0.1µF 50V M
C1513	QETN1CM-228	E CAP.	2200µF 16V M
C1514	NCB21HK-103X	C CAP.	0.01µF 50V K
C1515	QFV71HJ-394Z	MF CAP.	0.39µF 50V J
C1516	NCB21HK-103X	C CAP.	0.01µF 50V K
C1571	NCB21HK-103X	C CAP.	0.01µF 50V K
C1605	QETN1HM-106Z	E CAP.	10µF 50V M
C1606	QETN1EM-227Z	E CAP.	220µF 25V M
C1622-23	QETN1CM-227Z	E CAP.	220µF 16V M
C1624	QETN1EM-476Z	E CAP.	47µF 25V M
C1626	QENC1EM-107Z	BP E CAP.	100µF 25V M
C1627	QETN1EM-228	E CAP.	2200µF 25V M
C1629	QENC1EM-107Z	BP E CAP.	100µF 25V M
C1631	QETN1EM-476Z	E CAP.	47µF 25V M
C1632	NCS21HJ-221X	C CAP.	220pF 50V J
C1633-34	QFV71HJ-104Z	MF CAP.	0.1µF 50V J
C1635-36	QETN1EM-108Z	E CAP.	1000µF 25V M
C1637-38	QFV71HJ-104Z	MF CAP.	0.1µF 50V J
C1639	QETN1HM-106Z	E CAP.	10µF 50V M
C1640	NCS21HJ-221X	C CAP.	220pF 50V J
C1641	QETN1HM-226Z	E CAP.	22µF 50V M
C1668	NCB21EK-104X	C CAP.	0.1µF 25V K
C1671	QETN1CM-107Z	E CAP.	100µF 16V M
C1672	NCB21EK-104X	C CAP.	0.1µF 25V K
C1701	NCF21CZ-105X	C CAP.	1µF 16V Z
C1703	QETN1EM-476Z	E CAP.	47µF 25V M
C1704	NCB21EK-104X	C CAP.	0.1µF 25V K
C1705	QETN1AM-107Z	E CAP.	100µF 10V M
C1706	NCB21EK-104X	C CAP.	0.1µF 25V K
C1707	QETN1HM-474Z	E CAP.	0.47µF 50V M
C1708	QETN1EM-476Z	E CAP.	47µF 25V M
C1709-10	NDC21HJ-9R0X	C CAP.	9.0pF 50V J
C1711	NCB21EK-104X	C CAP.	0.1µF 25V K
C1712	NDC21HJ-151X	C CAP.	150pF 50V J

Symbol No.	Part No.	Part Name	Description
<b>CAPACITOR</b>			
C1716-17	QETN1HM-105Z	E CAP.	1µF 50V M
C1718	NCB21HK-333X	C CAP.	0.033µF 50V K
C1725	NCB21HK-102X	C CAP.	1000pF 50V K
C1871	NCB21EK-104X	C CAP.	0.1µF 25V K
C1872	NCB21HK-223X	C CAP.	0.022µF 50V K
C1873	NDC21HJ-221X	C CAP.	220pF 50V J
C1874-75	NDC21HJ-150X	C CAP.	15pF 50V J
C1876	NCB21HK-102X	C CAP.	1000pF 50V K
C1877	NCB21EK-104X	C CAP.	0.1µF 25V K
C1878	NCB21HK-102X	C CAP.	1000pF 50V K
C1879	NDC21HJ-180X	C CAP.	18pF 50V J
C1880	QETN1AM-477Z	E CAP.	470µF 10V M
C1881	NCB21EK-104X	C CAP.	0.1µF 25V K
C1882	QETN1EM-476Z	E CAP.	47µF 25V M
C1883	NCB21HK-103X	C CAP.	0.01µF 50V K
C1884-85	NCB21EK-104X	C CAP.	0.1µF 25V K
C1886	NCB21HK-103X	C CAP.	0.01µF 50V K
C1887-89	QETN1HM-106Z	E CAP.	10µF 50V M
△ C1901	QFZ9040-474	MF CAP.	0.47µFAC275V M
<b>COIL</b>			
L1001	QQL244K-5R6Z	PEAKING COIL	5.6µH
L1002	QQL244K-270Z	PEAKING COIL	27µH
L1301-02	QQL244K-4R7Z	PEAKING COIL	4.7µH
L1305	QQL244K-4R7Z	PEAKING COIL	4.7µH
L1306	QQL244K-330Z	PEAKING COIL	33µH
L1501	QQL244J-151Z	PEAKING COIL	150µH
L1701	QQL244K-4R7Z	PEAKING COIL	4.7µH
L1702	QQL244K-3R9Z	PEAKING COIL	4.7µH
L1871	QQL244K-4R7Z	PEAKING COIL	4.7µH
<b>DIODE</b>			
D1301	MA3051/M/-X	ZENER DIODE	
D1302-04	MA111-X	SI DIODE	
D1503	RB100A-T2	SI DIODE	
D1602	MA111-X	SI DIODE	
D1608	MA111-X	SI DIODE	
D1612	MA111-X	SI DIODE	
D1624-25	MA111-X	SI DIODE	
D1701	MA3068/M/-X	ZENER DIODE	
D1702	MA111-X	SI DIODE	
D1704	MA111-X	SI DIODE	
D1705	MA3036-X	ZENER DIODE	
D1706-08	MA111-X	SI DIODE	
D1710	MA111-X	SI DIODE	
<b>TRANSISTOR</b>			
Q1301-02	2SA1037AK/QR/-X	SI TRANSISTOR	
Q1308	DTC124EKA-X	DIGI. TRANSISTOR	
Q1311	DTC124EKA-X	DIGI. TRANSISTOR	
Q1312	2SA1037AK/QR/-X	SI TRANSISTOR	
Q1401	DTC124EKA-X	DIGI. TRANSISTOR	
Q1402	2SC2412K/QR/-X	SI TRANSISTOR	
Q1604	2SA1037AK/QR/-X	SI TRANSISTOR	
Q1609	2SA1037AK/QR/-X	SI TRANSISTOR	
Q1610	DTC323TK-X	DIGI. TRANSISTOR	
Q1612	DTC323TK-X	DIGI. TRANSISTOR	
Q1701-04	2SC2412K/QR/-X	SI TRANSISTOR	
Q1705	2SA1037AK/QR/-X	SI TRANSISTOR	
Q1708	2SA1037AK/QR/-X	SI TRANSISTOR	
Q1709-10	2SC2412K/QR/-X	SI TRANSISTOR	
Q1871	2SA1037AK/QR/-X	SI TRANSISTOR	
Q1872	2SC2412K/QR/-X	SI TRANSISTOR	
<b>IC</b>			
IC1301	TB1227CN	I C	
IC1302	TC4053BP/N/	I. C. (DIGI-MOS)	
IC1501	ANS441SA-W	I C	
IC1601	LA4446	I. C. (MONO-ANA)	
IC1607	BA05T	I. C. (MONO-ANA)	
IC1701	M37280MK-207SP	I C	
IC1702	AT24C16-24WT5	I. C.	
IC1703	L78LRO5E-MA	I. C. (MONO-ANA)	(SERVICE)

AV24WT5EPS  
AV24WT5EIS

△ Symbol No.	Part No.	Part Name	Description
<b>IC</b>			
IC1871	ET417	I.C. (M)	
IC1872	ET206	I.C. (M)	
<b>OTHERS</b>			
△ CN1001	CEMG002-001Z	FUSE CLIP	
F1901	QGF1220C2-19	FFC/FPC CONNECTO	
K1001	QMF51D2-3R15J1	FUSE	3.15A
K1004	QQR0621-002Z	BEADS CORE	
K1307	QQR0621-002Z	BEADS CORE	
K1872	QQL244K-3R3Z	PEAKING COIL	
LC1301	CE42142-222Z	EMI FILTER	
△ LF1901	QQR1095-001	LINE FILTER	
S1901	QSM0824-001	PUSH SWITCH	POWER SW
TU1001	QAU0188-003	TUNER	
X1301	QAX0305-001Z	CRYSTAL	
X1701	CST8.00MTW	CER. RESONATOR	
X1871	CE41257-001Z	CRYSTAL	

■ POWER DEF. P.W. BOARD ASS'Y  
(SJK-2513A-U2)

△ Symbol No.	Part No.	Part Name	Description
<b>RESISTOR</b>			
R2401	QRE141J-752Y	C R	7.5kΩ 1/4W J
R2402	QRA14CF-1002Y	MF R	10kΩ 1/4W F
R2403	QRA14CF-3091Y	MF R	3.09kΩ 1/4W F
R2404	QRA14CF-8200Y	MF R	820Ω 1/4W F
R2405	QRA14CF-8200Y	MF R	820Ω 1/4W F
R2406	QRE141J-752Y	C R	7.5kΩ 1/4W J
R2409	QRE141J-103Y	C R	10kΩ 1/4W J
R2410	QRE141J-102Y	C R	1kΩ 1/4W J
R2414	QRE121J-2R7Y	C R	2.7Ω 1/2W J
R2415	QRX01GJ-1R8	MF R	1.8Ω 1W J
R2416	QRG01GJ-820	OM R	82Ω 1W J
R2417	QRE121J-1R0Y	C R	1.0Ω 1/2W J
R2461	QRE141J-331Y	C R	330Ω 1/4W J
R2463	QRE121J-392Y	C R	3.9kΩ 1/2W J
R2464	QRE121J-562Y	C R	5.6kΩ 1/2W J
R2465	QRE121J-392Y	C R	3.9kΩ 1/2W J
R2466	QRE121J-102Y	C R	1kΩ 1/2W J
R2467	QRL039J-120	OM R	12Ω 3W J
R2468	QRE121J-472Y	C R	4.7kΩ 1/2W J
R2492	QRE141J-683Y	C R	68kΩ 1/4W J
R2493	QRE141J-224Y	C R	220kΩ 1/4W J
R2495	QRE141J-103Y	C R	10kΩ 1/4W J
R2496	QRE141J-183Y	C R	18kΩ 1/4W J
R2497	QRE141J-153Y	C R	15kΩ 1/4W J
R2502	QRE141J-222Y	C R	2.2kΩ 1/4W J
R2503	QRE121J-152Y	C R	1.5kΩ 1/2W J
R2504	QRL039J-102	OM R	1kΩ 3W J
R2505	QRL039J-122	OM R	1.2kΩ 3W J
R2521	QRE121J-150Y	C R	15Ω 1/2W J
R2522	QRL039J-103	OM R	10kΩ 3W J
R2523	QRE121J-471Y	C R	470Ω 1/2W J
R2525	QRE141J-332Y	C R	3.3kΩ 1/4W J
R2541	QRE121J-103Y	C R	10kΩ 1/2W J
R2542	QRE121J-222Y	C R	2.2kΩ 1/2W J
R2543	QRE121J-124Y	C R	120kΩ 1/2W J
R2544	QRE121J-104Y	C R	100kΩ 1/2W J
R2545	QRE141J-123Y	C R	12kΩ 1/4W J
R2546	QRE121J-104Y	C R	100kΩ 1/2W J
R2547	QRE141J-123Y	C R	12kΩ 1/4W J
R2548	QRE121J-222Y	C R	2.2kΩ 1/2W J
R2551-52	QRT039J-1R0	MF R	1.0Ω 3W J
R2553	QRF104K-5R6	UNF R	5.6Ω 10W K
R2591	QRE121J-103Y	C R	10kΩ 1/2W J
R2592	QRA14CF-1201Y	MF R	1.2kΩ 1/4W F

△ Symbol No.	Part No.	Part Name	Description
<b>RESISTOR</b>			
R2593	QRE141J-183Y	C R	18kΩ 1/4W J
R2594	QRE141J-222Y	C R	2.2kΩ 1/4W J
△ R2595	QRA14CF-1692Y	MF R	16.9kΩ 1/4W F
△ R2596	QRA14CF-2491Y	MF R	2.49kΩ 1/4W F
R2597	QRE141J-273Y	C R	27kΩ 1/4W J
△ R2902	QRE121J-331Y	C R	330Ω 1/2W J
R2903	QRF104K-3R9	UNF R	3.9Ω 10W K
R2904-05	QRE121J-474Y	C R	470kΩ 1/2W J
R2907-08	QRL039J-823	OM R	82kΩ 3W J
R2909	QRG039J-683	OM R	68kΩ 3W J
R2910	QRE121J-681Y	C R	680Ω 1/2W J
R2911	QRM059J-R15	MP R	0.15Ω 5W J
R2912	QRT029J-2R2	MF R	2.2Ω 2W J
R2914	QRE121J-272Y	C R	2.7kΩ 1/2W J
R2918	QRE121J-332Y	C R	3.3kΩ 1/2W J
R2933	QRE141J-102Y	C R	1kΩ 1/4W J
R2935	QRE141J-473Y	C R	47kΩ 1/4W J
R2936	QRE141J-103Y	C R	10kΩ 1/4W J
R2938	QRE121J-102Y	C R	1kΩ 1/2W J
R2940	QRE121J-390Y	C R	39Ω 1/2W J
R2964	QRE121J-102Y	C R	1kΩ 1/2W J
R2967	QRL039J-223	OM R	22kΩ 3W J
R2976	QRL029J-100	OM R	10Ω 2W J
△ R2991	QRZ9041-825	C R	8.2MΩ 1/2W K

△ Symbol No.	Part No.	Part Name	Description
<b>CAPACITOR</b>			
C2401	QEHR1VM-227Z	E CAP.	220μF 35V M
C2402	QETM1VM-108	E CAP.	1000μF 35V M
C2403	QFLC2AJ-683Z	M CAP.	0.068μF 100V J
C2404	QETN1HM-105Z	E CAP.	1μF 50V M
C2405	QFLC1HJ-472Z	M CAP.	4700pF 50V J
C2406	QCZ0337-180Z	C CAP.	180pF 2kV J
C2407	QFLC1HJ-102Z	M CAP.	1000pF 50V J
C2408	QFV71HJ-334Z	MF CAP.	0.33μF 50V J
C2410	QFV71HJ-334Z	MF CAP.	0.33μF 50V J
C2411	QFLC2AJ-563Z	M CAP.	0.056μF 100V J
C2451	QFV71HJ-104Z	MF CAP.	0.1μF 50V J
C2461	QEZ0231-475Z	E CAP.	4.7μF 160V M
C2462	QETN1HM-106Z	E CAP.	10μF 50V M
C2463	QFLC1HJ-153Z	M CAP.	0.015μF 50V J
C2491	QETN1HM-105Z	E CAP.	1μF 50V M
C2492	QETN1HM-106Z	E CAP.	10μF 50V M
C2502	QCB32HK-681Z	C CAP.	680pF 50V K
C2503	QEHR2CM-105Z	E CAP.	1μF 160V M
△ C2521	QFZ0200-59Z	MPP CAP.	5900pF 1.5kVH ±3%
△ C2522	QFZ0200-113	MPP CAP.	0.011μF 1.5kVH ±3%
△ C2523	QFP32GJ-223	PP CAP.	0.022μF 400V J
△ C2524	QFM72DK-104	M CAP.	0.1μF 200V K
△ C2525	QFZ0197-354	MPP CAP.	0.35μF 250V J
△ C2526	QFZ0197-354	MPP CAP.	0.35μF 250V J
C2527	QEHR2EM-475Z	E CAP.	4.7μF 250V M
C2528	QFZ0197-683	MPP CAP.	0.068μF 250V J
C2529	QFZ0197-104	MPP CAP.	0.1μF 250V J
C2530	QCB32HK-561Z	C CAP.	560pF 500V K
C2531	QFLC1HJ-103Z	M CAP.	0.01μF 50V J
C2532	QFZ0197-334	MPP CAP.	0.33μF 250V J
C2542	QFZ0197-624	MPP CAP.	0.62μF 250V J
C2543	QFZ0197-254	MPP CAP.	0.25μF 250V J
C2551	QETN2EM-106Z	E CAP.	10μF 250V M
C2552	QCB32HK-152Z	C CAP.	1500pF 500V K
C2553	QEHR1EM-108Z	E CAP.	1000μF 25V M
C2554	QCB32HK-152Z	C CAP.	1500pF 500V K
C2555	QEHR1EM-108Z	E CAP.	1000μF 25V M
C2560	QETM2CM-227	E CAP.	220μF 160V M
C2591	QETN1AM-107Z	E CAP.	100μF 10V M
C2592	QETN1EM-476Z	E CAP.	47μF 25V M
C2593	QETN2AM-106Z	E CAP.	10μF 100V M
C2594	QETN1AM-227Z	E CAP.	220μF 10V M
△ C2901	QFZ9040-473	MF CAP.	0.047μF AC275V M
△ C2904	QCZ9054-472	C CAP.	4700pF AC250V Z
△ C2905	QCZ9054-472	C CAP.	4700pF AC250V Z
△ C2906	QCZ9054-472	C CAP.	4700pF AC250V M
C2907	QEZ0199-227	E CAP.	220μF 400V M

△ Symbol No.	Part No.	Part Name	Description
<b>CAPACITOR</b>			
C2908	QCB32HK-103	C CAP.	0.01μF 500V K
C2909	QCZ0122-391	C CAP.	390pF 2kV K
C2910	QCZ0122-102	C CAP.	1000pF 2kV K
C2912	QCB31HK-471Z	C CAP.	470pF 50V K
C2913	QETN1HM-476Z	E CAP.	47μF 50V M
C2916	QETN1HM-107Z	E CAP.	100μF 50V M
C2918	QCB31HK-681Z	C CAP.	680pF 50V K
C2933-34	QETN1HM-106Z	E CAP.	10μF 50V M
C2935	QETN1EM-227Z	E CAP.	220μF 25V M
C2951	QCZ0122-561	C CAP.	560pF 2kV K
C2952	QEZO203-227	E CAP.	220μF 160V M
C2953	QCB32HK-391Z	C CAP.	390pF 500V K
C2954	QTMN1EM-228	E CAP.	2200μF 25V M
C2955	QCB32HK-391Z	C CAP.	390pF 500V K
C2956	QTMN1CM-228	E CAP.	2200μF 16V M
C2958	QCB32HK-391Z	C CAP.	390pF 500V K
C2959	QETN1VM-228	E CAP.	2200μF 35V M
C2964	QFV71HJ-684Z	MF CAP.	0.68μF 50V J
C2968	QCZ0120-104Z	C CAP.	0.1μF 25V Z
C2969	QEHR1CM-477Z	E CAP.	470μF 16V M
C2970	QEHR1CM-107Z	E CAP.	100μF 16V M
C2971	QCZ0120-104Z	C CAP.	0.1μF 25V Z
C2972	QETN1CM-227Z	E CAP.	220μF 16V M
C2973	QETN1EM-476Z	E CAP.	47μF 25V M
C2974	QCZ0120-104Z	C CAP.	0.1μF 25V Z
C2975	QETN1AM-227Z	E CAP.	220μF 10V M
C2976	QETN1EM-476Z	E CAP.	47μF 25V M
C2979	QFV71HJ-104Z	MF CAP.	0.1μF 50V J
△ C2991	QCZ9079-33Z	C CAP.	3300pFAC250V M
△ C2992	QCZ9079-471	C CAP.	470pFAC250V K

<b>TRANSFORMER</b>			
T2501	CE42034-002	H.DRIVE TRANSF.	
T2521	CE42549-001J1	BRIGE COIL	
△ T2551	QQH0093-001	FB TRANSF.	
△ T2901	QQS0099-001	SW TRANSF.	
△ T2921	QQT0303-001	POWER TRANSF.	

<b>COIL</b>			
L2461	QQLZ028-47Z	CHOKE COIL	
L2521	QQLZ028-101	CHOKE COIL	
L2522	QQR1137-003	LINEARITY COIL	
L2551	QQLZ026-340	HEATER CHOKE	
L2901-02	QQL402K-100	COIL	10μH
△ L2903	QQR0659-004	CHOKE COIL	
L2951	QQLZ026-460	HEATER CHOKE	
L2952	QQL26AK-820Z	CHOKE COIL	
L2953-54	QQL26AM-5R6Z	CHOKE COIL	

<b>DIODE</b>			
D2401	MTZJ75-T2	ZENER DIODE	
D2402	1N4003-T2	SI.DIODE	
D2403	1SS133-T2	SI.DIODE	
D2451	BYD33D-T3	SI.DIODE	
D2491	BYD33D-T3	SI.DIODE	
D2492	MTZJ22B-T2	ZENER DIODE	
D2493-94	1SS133-T2	SI.DIODE	
D2521	RH3G-F1	SI.DIODE	
D2522	BYW95B-20	SI.DIODE	
D2523	BYD33G-T3	SI.DIODE	
D2525	MTZJ9.1B-T2	ZENER DIODE	
D2551	BYD33G-T3	SI.DIODE	
D2553-54	BYW95B-20	SI.DIODE	
D2591	MTZJ15B-T2	ZENER DIODE	
D2592	MTZJ7.5B-T2	ZENER DIODE	
D2593	BYD33D-T3	SI.DIODE	
△ D2594	MTZJ7.5S-T2	ZENER DIODE	
D2901	D3SBA60	DIODE BRIDGE	
D2902	BYD33M-T3	SI.DIODE	
D2904-05	BYD33D-T3	SI.DIODE	
D2909	1SS133-T2	SI.DIODE	
D2911	MTZJ15B-T2	ZENER DIODE	
D2913	MTZJ27B-T2	ZENER DIODE	

△ Symbol No.	Part No.	Part Name	Description
<b>DIODE</b>			
D2931	1SS133-T2	SI.DIODE	
D2934	MTZJ6.2B-T2	ZENER DIODE	
D2935-38	1N4003-T2	SI.DIODE	
D2939	1SS133-T2	SI.DIODE	
D2951	RU4B-F1	SI.DIODE	
D2953-54	BYW95B-20	SI.DIODE	
D2955	FMX-G12S	SI.DIODE	
D2958	1SR35-400A-T2	SI.DIODE	
D2963	MTZJ3.9B-T2	ZENER DIODE	
D2964	MTZJ33B-T2	ZENER DIODE	
D2981-83	1SS133-T2	SI.DIODE	
D2985	MTZJ7.5C-T2	ZENER DIODE	

<b>TRANSISTOR</b>			
Q2402	2SC1740S/QR/-T	SI. TRANSISTOR	
Q2461	2SD1408/OY/-LB	SI. TRANSISTOR	
Q2462-63	2SA933AS/QR/-T	SI. TRANSISTOR	
Q2501	BSN304-T	F.E.T.	
△ Q2521	2SD2634-YD	SI. TRANSISTOR	H. OUT
Q2541-42	DTC124ESA-T	DIGI. TRANSISTOR	
Q2543	IRF620	F.E.T.	
Q2544-45	2SK2459N-F54	F.E.T.	
Q2546	DTC124ESA-T	DIGI. TRANSISTOR	
Q2591	2SA949/Y/Z1-T	SI. TRANSISTOR	
Q2592	DTC124ESA-T	DIGI. TRANSISTOR	
Q2593	2SC1740S/QR/-T	SI. TRANSISTOR	
Q2931-32	2SC1740S/QR/-T	SI. TRANSISTOR	
Q2933	2SC2655/Y/-T	SI. TRANSISTOR	

<b>IC</b>			
IC2401	LA7841	I.C. (MONO-ANA)	
△ IC2901	STR-F6667B/F7	I.C.	
IC2951	SE140N	I.C. (HYBRID)	
IC2952	BA12T	I.C. (MONO-ANA)	
IC2953	BA17809T	I.C. (MONO-ANA)	
IC2954	BA05T	I.C. (MONO-ANA)	

<b>OTHERS</b>			
△ CP2952	ICP-N50-Y	I.C. PROTECT	
△ CP2953	ICP-N75-Y	I.C. PROTECT	
△ CP2956	ICP-N10-Y	I.C. PROTECT	
△ CP2957	ICP-N5-Y	I.C. PROTECT	
K2401	QQR0621-002Z	BEADS CORE	
K2503-04	QQR0582-001Z	BEADS CORE	
K2901	QQR0679-001	FERRITE BEADS	
K2904	QQR0679-001	FERRITE BEADS	
K2951	QQR0872-001Y	FERRITE BEADS	
K2952-54	QQR0621-002Z	BEADS CORE	
△ LF2901	QQR1095-001	LINE FILTER	
PC2541-42	PC123F2	I.C. (PH. COUPLER)	
△ PC2901	PC123FY2	I.C. (PH. COUPLER)	
△ R2494	QRZ9017-4R7	F R	4.7Ω 1/4W J
△ R2524	QRZ9017-4R7	F R	4.7Ω 1/4W J
△ R2555	QRZ9011-4R7	F R	4.7Ω 1/2W J
△ R2913	QRZ9017-100	F R	10Ω 1/4W J
△ RY2931	QSK0099-001	RELAY	
△ TH2901	QAD0120-9R0	P THERMISTOR	

■ CRT SOCKET P.W. BOARD ASS'Y  
(SJK-3513A-U2)

△ Symbol No.	Part No.	Part Name	Description
<b>RESISTOR</b>			
R3101-03	NRSA02J-101X	MG R	100Ω 1/10W J
R3107-09	NRSA02J-392X	MG R	3.9kΩ 1/10W J
R3110-12	NRSA02J-221X	MG R	220Ω 1/10W J
R3113-15	NRSA02J-470X	MG R	47Ω 1/10W J
R3116-18	QRL029J-153	OM R	15kΩ 2W J
R3119-21	QRL029J-183	OM R	18kΩ 2W J
R3125-27	QRZ0107-102Z	C R	1kΩ 1/2W K
R3130	QRG01GJ-101	OM R	100Ω 1W J
R3135	QRZ0107-474Z	C R	470kΩ 1/2W K
R3136	QRE121J-474Y	C R	470kΩ 1/2W J
R3137	QRZ0107-102Z	C R	1kΩ 1/2W K
R3138	QRE121J-105Y	C R	1MΩ 1/2W J
R3151	NRSA02J-102X	MG R	1kΩ 1/10W J
R3152	NRSA02J-472X	MG R	4.7kΩ 1/10W J
R3154	NRSA02J-0R0X	MG R	0.0Ω 1/10W J
<b>CAPACITOR</b>			
C3101-03	NDC21HJ-391X	C CAP.	390pF 50V J
C3104	QETN1CM-107Z	E CAP.	100μF 16V M
C3105	QETN1EM-476Z	E CAP.	47μF 25V M
C3107	QETN1HM-106Z	E CAP.	10μF 50V M
C3113	QCZ0131-222	C CAP.	2200pF 2000V K
C3114	QETM2EM-336	E CAP.	33μF 250V M
C3115	QETM2EM-106	E CAP.	10μF 250V M
C3116	NRSA02J-0R0X	MG R	0.0Ω 1/10W J
<b>DIODE</b>			
D3151	MA111-X	SI. DIODE	
D3153-55	MA111-X	SI. DIODE	
D3156	MA3047/H/-X	ZENER DIODE	
D3163	MA3150/M/-X	ZENER DIODE	
D3164	1SR35-400A-T2	SI. DIODE	
<b>TRANSISTOR</b>			
Q3101-03	2SC1740S/QR/-T	SI. TRANSISTOR	
Q3104-06	2SC4544-LB	SI. TRANSISTOR	
Q3151	2SA1037AK/QR/-X	SI. TRANSISTOR	
Q3152	2SC4682-T	SI. TRANSISTOR	
<b>OTHERS</b>			
K3101	QQR0621-002Z	BEADS CORE	
△ SK3001	CE42535-001J1	C. R. T. SOCKET	

■ FRONT CONTROL P.W. BOARD ASS'Y  
(SJK-8513A-U2)

△ Symbol No.	Part No.	Part Name	Description
<b>RESISTOR</b>			
R8301	NRSA02J-750X	MG R	75Ω 1/10W J
R8801-02	NRSA02J-561X	MG R	560Ω 1/10W J
R8807-09	NRSA02J-103X	MG R	10kΩ 1/10W J
R8810-11	QRE121J-271Y	C R	270Ω 1/2W J
R8812-13	NRSA02J-102X	MG R	1kΩ 1/10W J
R8851	NRSA02J-682X	MG R	6.8kΩ 1/10W J
R8861	NRSA02J-562X	MG R	5.6kΩ 1/10W J
R8863	NRSA02J-472X	MG R	4.7kΩ 1/10W J
R8864	NRSA02J-222X	MG R	2.2kΩ 1/10W J
<b>CAPACITOR</b>			
C8301-02	NCB21HK-472X	C CAP.	4700pF 50V K
C8303	NRSA02J-0R0X	MG R	0.0Ω 1/10W J
C8801-02	NCB21HK-104X	CHIP CAP.	0.1μF 50V K
C8805	NCB21HK-103X	C CAP.	0.01μF 50V K
C8851	NCB21EK-104X	C CAP.	0.1μF 25V K
C8852	QETN1CM-107Z	E CAP.	100μF 16V M
C8861	QETN1HM-106Z	E CAP.	10μF 50V M
<b>COIL</b>			
L8301	QQL244K-270Z	PEAKING COIL	27μH
L8302	QQR0716-001Z	LEAD CORE	
L8303	QQL244K-270Z	PEAKING COIL	27μH
L8801-02	QQL244K-5R6Z	PEAKING COIL	5.6μH
L8803	QQR0716-001Z	LEAD CORE	
<b>DIODE</b>			
D8801	SPR-39MWF	L. E. D.	
D8805	MA111-X	SI. DIODE	
D8851	MA3068/M/-X	ZENER DIODE	
D8861	MA111-X	SI. DIODE	
D8862	P1241-04	C. D. S.	
<b>TRANSISTOR</b>			
Q8801-02	DTA124EKA-X	DIGI. TRANSISTOR	
Q8861	2SA1037AK/QR/-X	SI. TRANSISTOR	
<b>IC</b>			
IC8851	GP1U281Q	IFR DETECT UNIT	
<b>OTHERS</b>			
J8301	LC30349-001A-H	L. E. D. HOLDER	
J8302	CM35921-005-H	CDS HOLDER	
J8801	QND0073-001	S JACK	
S8801	QNN0370-001	PIN JACK	
S8801	QMS3004-C01	HEADPHONE JACK	
S8802	QSW0619-003Z	PUSH SWITCH	VR
S8802	QSW0619-003Z	PUSH SWITCH	▽(DOWN)
S8803	QSW0619-003Z	PUSH SWITCH	△(UP)
Y8302	NCB21HK-472X	C CAP.	4700pF 50V K



■ AV SW P.W. BOARD ASS'Y (SJK0S713A-U2)

△ Symbol No.	Part No.	Part Name	Description
<b>RESISTOR</b>			
R0101-08	NRSA02J-750X	MG R	75Ω 1/10W J
R0110	NRSA02J-823X	MG R	82kΩ 1/10W J
R0112	NRSA02J-823X	MG R	82kΩ 1/10W J
R0113	NRSA02J-750X	MG R	75Ω 1/10W J
R0114	NRSA02J-473X	MG R	47kΩ 1/10W J
R0115-16	NRSA02J-223X	MG R	22kΩ 1/10W J
R0117-18	NRSA02J-823X	MG R	82kΩ 1/10W J
R0119-20	NRSA02J-391X	MG R	390Ω 1/10W J
R0123	NRSA02J-104X	MG R	100kΩ 1/10W J
R0124-25	NRSA02J-101X	MG R	100Ω 1/10W J
R0126	NRSA02J-333X	MG R	33kΩ 1/10W J
R0127	NRSA02J-101X	MG R	100Ω 1/10W J
R0128	NRSA02J-103X	MG R	10kΩ 1/10W J
R0129	NRSA02J-823X	MG R	82kΩ 1/10W J
R0130	NRSA02J-473X	MG R	47kΩ 1/10W J
R0131	NRSA02J-273X	MG R	27kΩ 1/10W J
R0132	NRSA02J-153X	MG R	15kΩ 1/10W J
R0133	NRSA02J-222X	MG R	2.2kΩ 1/10W J
R0134	NRSA02J-333X	MG R	33kΩ 1/10W J
R0135	NRSA02J-222X	MG R	2.2kΩ 1/10W J
R0136-37	NRSA02J-333X	MG R	33kΩ 1/10W J
R0138	NRSA02J-473X	MG R	47kΩ 1/10W J
R0139	NRSA02J-823X	MG R	82kΩ 1/10W J
R0140	NRSA02J-103X	MG R	10kΩ 1/10W J
R0141	NRSA02J-153X	MG R	15kΩ 1/10W J
R0142	NRSA02J-223X	MG R	22kΩ 1/10W J
R0143	NRSA02J-473X	MG R	47kΩ 1/10W J
R0144	NRSA02J-273X	MG R	27kΩ 1/10W J
R0146	NRSA02J-391X	MG R	390Ω 1/10W J
R0148	NRSA02J-391X	MG R	390Ω 1/10W J
R0151	NRSA02J-104X	MG R	100kΩ 1/10W J
R0152	NRSA02J-222X	MG R	2.2kΩ 1/10W J
R0153	NRSA02J-333X	MG R	33kΩ 1/10W J
R0154	NRSA02J-222X	MG R	2.2kΩ 1/10W J
R0155	NRSA02J-333X	MG R	33kΩ 1/10W J
R0156-69	NRSA02J-101X	MG R	100Ω 1/10W J
R0170	NRSA02J-333X	MG R	33kΩ 1/10W J
R0171	NRSA02J-222X	MG R	2.2kΩ 1/10W J
R0172	NRSA02J-473X	MG R	47kΩ 1/10W J
R0173	NRSA02J-823X	MG R	82kΩ 1/10W J
R0174	NRSA02J-103X	MG R	10kΩ 1/10W J
R0175	NRSA02J-153X	MG R	15kΩ 1/10W J
R0176	NRSA02J-473X	MG R	47kΩ 1/10W J
R0177	NRSA02J-273X	MG R	27kΩ 1/10W J
R0180-83	NRSA02J-101X	MG R	100Ω 1/10W J
R0184	NRSA02J-333X	MG R	33kΩ 1/10W J
R0185	NRSA02J-222X	MG R	2.2kΩ 1/10W J
R0186	NRSA02J-333X	MG R	33kΩ 1/10W J
R0188	NRSA02J-101X	MG R	100Ω 1/10W J
R0189-90	NRSA02J-221X	MG R	220Ω 1/10W J
R0191-92	NRSA02J-562X	MG R	5.6kΩ 1/10W J
R0193-94	NRSA02J-102X	MG R	1kΩ 1/10W J
R0195	QRG01GJ-101	OM R	100Ω 1W J
R0197	QRK126J-181X	C R	180Ω 1/2W J
R0198	NRSA02J-750X	MG R	75Ω 1/10W J
R0199	NRSA02J-101X	MG R	100Ω 1/10W J
R0202	QRK126J-151X	C R	150Ω 1/2W J
R0203-05	NRSA02J-750X	MG R	75Ω 1/10W J
R0207	NRSA02J-222X	MG R	2.2kΩ 1/10W J
R0208	NRSA02J-333X	MG R	33kΩ 1/10W J
R0209	NRSA02J-222X	MG R	2.2kΩ 1/10W J
R0210	NRSA02J-333X	MG R	33kΩ 1/10W J
R0211-12	NRSA02J-103X	MG R	10kΩ 1/10W J
R0603	NRSA02J-102X	MG R	1kΩ 1/10W J
R0606	QRG01GJ-181	OM R	180Ω 1W J
R0607	NRSA02J-123X	MG R	12kΩ 1/10W J
R0608	NRSA02J-181X	MG R	180Ω 1/10W J
R0609	NRSA02J-123X	MG R	12kΩ 1/10W J
R0610	NRSA02J-122X	MG R	1.2kΩ 1/10W J
R0614	NRSA02J-103X	MG R	10kΩ 1/10W J
R0615	NRSA02J-101X	MG R	100Ω 1/10W J
R0617	NRSA02J-102X	MG R	1kΩ 1/10W J

△ Symbol No.	Part No.	Part Name	Description
<b>RESISTOR</b>			
R0618	NRSA02J-332X	MG R	3.3kΩ 1/10W J
R0620	NRSA02J-333X	MG R	33kΩ 1/10W J
R0622	NRSA02J-103X	MG R	10kΩ 1/10W J
R0623	NRSA02J-102X	MG R	1kΩ 1/10W J
R0624	NRSA02J-104X	MG R	100kΩ 1/10W J
R0628	NRSA02J-0R0X	MG R	0.0Ω 1/10W J
R0629-31	NRSA02J-101X	MG R	100Ω 1/10W J
R0632	NRSA02J-332X	MG R	3.3kΩ 1/10W J
R0633	NRSA02J-221X	MG R	220Ω 1/10W J
R0634-35	NRSA02J-332X	MG R	3.3kΩ 1/10W J
R0647-48	NRSA02J-101X	MG R	100Ω 1/10W J
R0651	NRSA02J-122X	MG R	1.2kΩ 1/10W J
<b>CAPACITOR</b>			
C0101	NDC21HJ-151X	C CAP.	150pF 50V J
C0102	QETN1CM-477Z	E CAP.	470μF 16V M
C0103-05	QETN1HM-106Z	E CAP.	10μF 50V M
C0106	NCB21HK-472X	C CAP.	4700pF 50V K
C0107	NCB21HK-152X	C CAP.	1500pF 50V K
C0108	NCB21HK-472X	C CAP.	4700pF 50V K
C0109	NCB21HK-152X	C CAP.	1500pF 50V K
C0110	QETN1CM-477Z	E CAP.	470μF 16V M
C0111-12	NCB21HK-472X	C CAP.	4700pF 50V K
C0113	NDC21HJ-151X	C CAP.	150pF 50V J
C0114-15	NCB21HK-472X	C CAP.	4700pF 50V K
C0116-17	QETN1HM-106Z	E CAP.	10μF 50V M
C0118	NCB21HK-102X	C CAP.	1000pF 50V K
C0119	QETN1HM-105Z	E CAP.	1μF 50V M
C0120	QETN1HM-106Z	E CAP.	10μF 50V M
C0121	QETN1HM-105Z	E CAP.	1μF 50V M
C0122	NCB21HK-103X	C CAP.	0.01μF 50V K
C0123	NCB21HK-102X	C CAP.	1000pF 50V K
C0124-25	QETN1HM-106Z	E CAP.	10μF 50V M
C0126	QETN1HM-105Z	E CAP.	1μF 50V M
C0127	QETN1HM-106Z	E CAP.	10μF 50V M
C0128	QETN1HM-105Z	E CAP.	1μF 50V M
C0129	QETN1HM-106Z	E CAP.	10μF 50V M
C0130	QETN1HM-105Z	E CAP.	1μF 50V M
C0131	NCB21HK-102X	C CAP.	1000pF 50V K
C0132	QETN1HM-105Z	E CAP.	1μF 50V M
C0133	NCB21HK-103X	C CAP.	0.01μF 50V K
C0136	QETN1HM-106Z	E CAP.	10μF 50V M
C0137	QENC1EM-106Z	BP E CAP.	10μF 25V M
C0139	QENC1EM-106Z	BP E CAP.	10μF 25V M
C0140	QETN1CM-107Z	E CAP.	100μF 16V M
C0141	NCB21HK-103X	C CAP.	0.01μF 50V K
C0142	QENC1HM-105Z	BP E CAP.	1μF 50V M
C0143	QENC1EM-106Z	BP E CAP.	10μF 25V M
C0144	QENC1HM-105Z	BP E CAP.	1μF 50V M
C0145-46	QETN1CM-107Z	E CAP.	100μF 16V M
C0147	QETN1CM-477Z	E CAP.	470μF 16V M
C0149	NCB21HK-103X	C CAP.	0.01μF 50V K
C0150-51	QETN1HM-106Z	E CAP.	10μF 50V M
C0152-53	QETN1HM-105Z	E CAP.	1μF 50V M
C0154-55	NDC21HJ-680X	C CAP.	68pF 50V J
C0157-58	NDC21HJ-680X	C CAP.	68pF 50V J
C0159	NDC21HJ-561X	C CAP.	560pF 50V J
C0160	NDC21HJ-102X	C CAP.	1000pF 50V J
C0161	NDC21HJ-680X	C CAP.	68pF 50V J
C0610	NDC21HJ-821X	C CAP.	820pF 50V J
C0611-12	NDC21HJ-470X	C CAP.	47pF 50V J
C0614	NDC21HJ-180X	C CAP.	18pF 50V J
C0616	QETN1CM-107Z	E CAP.	100μF 16V M
C0617	NCB21EK-104X	C CAP.	0.1μF 25V K
C0618	QETN1HM-106Z	E CAP.	10μF 50V M
C0619	NCB21EK-104X	C CAP.	0.1μF 25V K
C0620	QETN1HM-106Z	E CAP.	10μF 50V M
C0621-22	QENC1HM-105Z	BP E CAP.	1μF 50V M
C0623	NCB21EK-104X	C CAP.	0.1μF 25V K
C0624	QETN1HM-106Z	E CAP.	10μF 50V M
C0625	QETN1CM-227Z	E CAP.	220μF 16V M
C0626	NCB21HK-153X	C CAP.	0.015μF 50V K

AV24WT5EPS  
AV24WT5EIS

Symbol No.	Part No.	Part Name	Description
<b>CAPACITOR</b>			
C0627	QENC1HM-105Z	BP E CAP.	1µF 50V M
C0628	NCB21HK-223X	C CAP.	0.022µF 50V K
C0629	QETN1HM-106Z	E CAP.	10µF 50V M
C0630-31	NCB21HK-102X	C CAP.	1000pF 50V K
C0632	NCB21EK-104X	C CAP.	0.1µF 25V K
C0633	QETN1HM-106Z	E CAP.	10µF 50V M
C0634-35	NCB21HK-103X	C CAP.	0.01µF 50V K
C0636	NDC21HJ-2R0X	C CAP.	2.0pF 50V J
C0637	NCB21HK-222X	C CAP.	2200pF 50V K
C0638	QETN1CM-336Z	E CAP.	33µF 16V M
C0639	NCB21HK-153X	C CAP.	0.015µF 50V K
C0640	NCB21HK-223X	C CAP.	0.022µF 50V K
C0641	NCB21HK-222X	C CAP.	2200pF 50V K
C0642	NDC21HJ-2R0X	C CAP.	2.0pF 50V J
C0643	QENC1HM-105Z	BP E CAP.	1µF 50V M
C0645	NCB21HK-103X	C CAP.	0.01µF 50V K
C0646	NCB21EK-104X	C CAP.	0.1µF 25V K
C0647	QETN1CM-107Z	E CAP.	100µF 16V M
C0648	NCB21EK-104X	C CAP.	0.1µF 25V K
C0659-60	QENC1HM-105Z	BP E CAP.	1µF 50V M
C0677-78	NCB21HK-102X	C CAP.	1000pF 50V K
<b>COIL</b>			
L0114	QQR0716-001Z	LEAD CORE	
L0601	QLL244K-220Z	PEAKING COIL	22µH
L0602	QLL244K-180Z	PEAKING COIL	18µH
L0604	QLL244K-100Z	PEAKING COIL	10µH
L0605	QLL244K-4R7Z	PEAKING COIL	4.7µH
<b>DIODE</b>			
D0101-13	MA3120/M/-X	ZENER DIODE	
D0601	RD8.2E/B2/-T2	ZENER DIODE	
<b>TRANSISTOR</b>			
Q0101	DTC323TK-X	DIGI. TRANSISTOR	
Q0102	2SA1037AK/QR/-X	SI. TRANSISTOR	
Q0103	DTC323TK-X	DIGI. TRANSISTOR	
Q0104-07	2SC2412K/QR/-X	SI. TRANSISTOR	
Q0108	2SA1037AK/QR/-X	SI. TRANSISTOR	
Q0109-10	DTC323TK-X	DIGI. TRANSISTOR	
Q0111-12	2SC2412K/QR/-X	SI. TRANSISTOR	
Q0116	2SA933AS/QR/-T	SI. TRANSISTOR	
Q0118	2SC1740S/QR/-T	SI. TRANSISTOR	
Q0119-20	2SC2412K/QR/-X	SI. TRANSISTOR	
Q0601	2SC2412K/QR/-X	SI. TRANSISTOR	
Q0602	DTC323TK-X	DIGI. TRANSISTOR	
Q0603	2SA1037AK/QR/-X	SI. TRANSISTOR	
<b>IC</b>			
IC0101	CXA2089Q-X	I C	
IC0602	BA4558F-X	I. C. (MONO-ANA)	
IC0603	MSP3415DQGB3GHX	IC	
<b>OTHERS</b>			
J0001	QNZ0465-001	PIN CONNECTOR	
J0002	QNZ0463-001	PIN CONNECTOR	
K0101-04	CE42681-001Y	BEADS CORE	
K0601	QQR0621-002Z	BEADS CORE	
LC0601-02	CE42482-103Y	EMI FILTER	
X0601	CE42546-001Z	CRYSTAL	

## AV24WT5EKS

## PRINTED WIRING BOARD PARTS LIST

## ■ MAIN P.W. BOARD ASS'Y (SJK-1913A-U2)

Symbol No.	Part No.	Part Name	Description
<b>RESISTOR</b>			
R1001	NRSA02J-102X	MG R	1kΩ 1/10W J
R1004-06	NRSA02J-102X	MG R	1kΩ 1/10W J
R1007	NRSA02J-104X	MG R	100kΩ 1/10W J
R1008	NRSA02J-0R0X	MG R	0.0Ω 1/10W J
R1304	QRG01GJ-121	OM R	120Ω 1W J
R1305	NRSA02J-562X	MG R	5.6kΩ 1/10W J
R1306	NRSA02J-222X	MG R	2.2kΩ 1/10W J
R1307	NRSA02J-102X	MG R	1kΩ 1/10W J
R1308	NRSA02J-471X	MG R	470Ω 1/10W J
R1309	NRSA02J-222X	MG R	2.2kΩ 1/10W J
R1310-11	NRSA02J-391X	MG R	390Ω 1/10W J
R1312-13	NRSA02J-101X	MG R	100Ω 1/10W J
R1314	NRSA02J-562X	MG R	5.6kΩ 1/10W J
R1316	NRSA02J-224X	MG R	220kΩ 1/10W J
R1317	NRSA02J-101X	MG R	100Ω 1/10W J
R1318-21	NRSA02J-102X	MG R	1kΩ 1/10W J
R1327	NRSA02J-0R0X	MG R	0.0Ω 1/10W J
R1328-29	NRSA02J-102X	MG R	1kΩ 1/10W J
R1330	NRSA02J-472X	MG R	4.7kΩ 1/10W J
R1331	NRSA02J-333X	MG R	33kΩ 1/10W J
R1332-33	NRSA02J-222X	MG R	2.2kΩ 1/10W J
R1335	NRSA02J-273X	MG R	27kΩ 1/10W J
R1340-41	NRSA02J-333X	MG R	33kΩ 1/10W J
R1342	NRSA02J-152X	MG R	1.5kΩ 1/10W J
R1343	NRSA02J-272X	MG R	2.7kΩ 1/10W J
R1344	NRSA02J-471X	MG R	470Ω 1/10W J
R1345	NRSA02J-102X	MG R	1kΩ 1/10W J
R1346	NRSA02J-223X	MG R	22kΩ 1/10W J
R1401-02	NRSA02J-103X	MG R	10kΩ 1/10W J
R1403	NRSA02J-102X	MG R	1kΩ 1/10W J
R1404	NRSA02J-183X	MG R	18kΩ 1/10W J
R1405	NRSA02J-223X	MG R	22kΩ 1/10W J
R1409	NRSA02J-0R0X	MG R	0.0Ω 1/10W J
R1411	NRVA02D-473X	MF R	47kΩ 1/10W D
R1413	NRVA02D-223X	MF R	22kΩ 1/10W D
R1414	NRVA02D-101X	MF R	100Ω 1/10W D
R1415	NRSA02J-562X	MG R	5.6kΩ 1/10W J
R1416	NRSA02J-101X	MG R	100Ω 1/10W J
R1417	NRSA02J-223X	MG R	22kΩ 1/10W J
R1418	NRSA02J-153X	MG R	15kΩ 1/10W J
R1419	NRSA02J-102X	MG R	1kΩ 1/10W J
R1420	NRSA02J-183X	MG R	18kΩ 1/10W J
R1501	NRSA02J-621X	MG R	620Ω 1/10W J
R1502	NRSA02J-103X	MG R	10kΩ 1/10W J
R1503	NRSA02J-104X	MG R	100kΩ 1/10W J
R1504	NRSA02J-822X	MG R	8.2kΩ 1/10W J
R1505-06	NRSA02J-221X	MG R	220Ω 1/10W J
R1507	NRSA02J-102X	MG R	1kΩ 1/10W J
R1508-09	NRSA02J-223X	MG R	22kΩ 1/10W J
R1511	NRSA02J-0R0X	MG R	0.0Ω 1/10W J
R1514	NRSA02J-472X	MG R	4.7kΩ 1/10W J
R1516	NRSA02J-222X	MG R	2.2kΩ 1/10W J
R1517	NRSA02J-472X	MG R	4.7kΩ 1/10W J
R1518	NRSA02J-682X	MG R	6.8kΩ 1/10W J
R1519	NRSA02J-562X	MG R	5.6kΩ 1/10W J
R1520	NRSA02J-152X	MG R	1.5kΩ 1/10W J
R1571	NRSA02J-101X	MG R	100Ω 1/10W J
R1572	NRSA02J-133X	MG R	13kΩ 1/10W J
R1573	NRSA02J-821X	MG R	820Ω 1/10W J
R1608-09	NRSA02J-822X	MG R	8.2kΩ 1/10W J
R1610-11	NRSA02J-103X	MG R	10kΩ 1/10W J
R1633	NRSA02J-273X	MG R	27kΩ 1/10W J
R1635	NRSA02J-561X	MG R	560Ω 1/10W J
R1638	NRSA02J-473X	MG R	47kΩ 1/10W J
R1639	NRSA02J-103X	MG R	10kΩ 1/10W J
R1642	QRK126J-4R7X	C R	4.7Ω 1/2W J
R1644	NRSA02J-561X	MG R	560Ω 1/10W J

Symbol No.	Part No.	Part Name	Description
<b>RESISTOR</b>			
R1645	QRK126J-4R7X	C R	4.7Ω 1/2W J
R1648	NRSA02J-104X	MG R	100kΩ 1/10W J
R1690	QRG01GJ-270	OM R	27Ω 1W J
R1701	NRSA02J-221X	MG R	220Ω 1/10W J
R1703	NRSA02J-273X	MG R	27kΩ 1/10W J
R1704	NRSA02J-473X	MG R	47kΩ 1/10W J
R1705	NRSA02J-102X	MG R	1kΩ 1/10W J
R1706	NRSA02J-223X	MG R	22kΩ 1/10W J
R1707-10	NRSA02J-103X	MG R	10kΩ 1/10W J
R1713-14	NRSA02J-102X	MG R	1kΩ 1/10W J
R1716	NRSA02J-102X	MG R	1kΩ 1/10W J
R1717	NRSA02J-104X	MG R	100kΩ 1/10W J
R1718-19	NRSA02J-682X	MG R	6.8kΩ 1/10W J
R1720	NRSA02J-472X	MG R	4.7kΩ 1/10W J
R1722	NRSA02J-472X	MG R	4.7kΩ 1/10W J
R1724-25	NRSA02J-472X	MG R	4.7kΩ 1/10W J
R1727	NRSA02J-472X	MG R	4.7kΩ 1/10W J
R1729-31	NRSA02J-221X	MG R	220Ω 1/10W J
R1740	NRSA02J-331X	MG R	330Ω 1/10W J
R1745	NRSA02J-472X	MG R	4.7kΩ 1/10W J
R1747	NRSA02J-472X	MG R	4.7kΩ 1/10W J
R1748-52	NRSA02J-221X	MG R	220Ω 1/10W J
R1753	NRSA02J-102X	MG R	1kΩ 1/10W J
R1755	NRSA02J-102X	MG R	1kΩ 1/10W J
R1756	NRSA02J-103X	MG R	10kΩ 1/10W J
R1759	NRSA02J-472X	MG R	4.7kΩ 1/10W J
R1763	NRSA02J-103X	MG R	10kΩ 1/10W J
R1764-66	NRSA02J-221X	MG R	220Ω 1/10W J
R1767	NRSA02J-103X	MG R	10kΩ 1/10W J
R1770	NRSA02J-272X	MG R	2.7kΩ 1/10W J
R1771-73	NRSA02J-222X	MG R	2.2kΩ 1/10W J
R1774-75	NRSA02J-333X	MG R	33kΩ 1/10W J
R1777-79	NRSA02J-222X	MG R	2.2kΩ 1/10W J
R1780	NRSA02J-102X	MG R	1kΩ 1/10W J
R1784-85	NRSA02J-223X	MG R	22kΩ 1/10W J
R1786	NRSA02J-473X	MG R	47kΩ 1/10W J
R1787	NRSA02J-332X	MG R	3.3kΩ 1/10W J
R1788	NRSA02J-272X	MG R	2.7kΩ 1/10W J
R1789	NRSA02J-473X	MG R	47kΩ 1/10W J
R1790	NRSA02J-682X	MG R	6.8kΩ 1/10W J
R1801	NRSA02J-333X	MG R	33kΩ 1/10W J
R1802	NRSA02J-222X	MG R	2.2kΩ 1/10W J
R1805	NRSA02J-332X	MG R	3.3kΩ 1/10W J
R1806	NRSA02J-184X	MG R	180kΩ 1/10W J
R1871	NRSA02J-102X	MG R	1kΩ 1/10W J
R1872-73	NRSA02J-222X	MG R	2.2kΩ 1/10W J
R1874	NRSA02J-272X	MG R	2.7kΩ 1/10W J
R1875	NRSA02J-104X	MG R	100kΩ 1/10W J
R1876	NRSA02J-102X	MG R	1kΩ 1/10W J
R1877	NRSA02J-393X	MG R	39kΩ 1/10W J
R1878-80	NRSA02J-152X	MG R	1.5kΩ 1/10W J
R1881-82	NRSA02J-331X	MG R	330Ω 1/10W J
R1883	NRSA02J-102X	MG R	1kΩ 1/10W J
R1884	NRSA02J-331X	MG R	330Ω 1/10W J
<b>CAPACITOR</b>			
C1001	NCB21HK-222X	C CAP.	2200pF 50V K
C1003	NCB21EK-104X	C CAP.	0.1μF 25V K
C1004	QETN1CM-108Z	E CAP.	1000μF 16V M
C1005	QETN1CM-107Z	E CAP.	100μF 16V M
C1006	QETN1HM-106Z	E CAP.	10μF 50V M
C1007	NCB21HK-104X	CHIP CAP.	0.1μF 50V K
C1008	QETN1HM-106Z	E CAP.	10μF 50V M
C1009	NCB21EK-104X	C CAP.	0.1μF 25V K
C1010	QETN1CM-107Z	E CAP.	100μF 16V M
C1301	NCB21EK-104X	C CAP.	0.1μF 25V K

AV24WT5EKS

Symbol No.	Part No.	Part Name	Description
<b>CAPACITOR</b>			
C1302	NCB21HK-823X	CHIP CAP.	0.082µF 50V K
C1303	QETN1EM-476Z	E CAP.	47µF 25V M
C1304	NCB21HK-103X	C CAP.	0.01µF 50V K
C1305	QETN1CM-107Z	E CAP.	100µF 16V M
C1306	NCB21HK-103X	C CAP.	0.01µF 50V K
C1307	QETN1CM-477Z	E CAP.	470µF 16V M
C1308	NDC21HJ-120X	C CAP.	12pF 50V J
C1309	QETN1HM-475Z	E CAP.	4.7µF 50V M
C1310	NCB21HK-103X	C CAP.	0.01µF 50V K
C1311	QETN1HM-106Z	E CAP.	10µF 50V M
C1312	NDC21HJ-680X	C CAP.	68pF 50V J
C1313	QETN1CM-107Z	E CAP.	100µF 16V M
C1314	NCB21HK-103X	C CAP.	0.01µF 50V K
C1315	QETN1HM-106Z	E CAP.	10µF 50V M
C1319	QETN1CM-107Z	E CAP.	100µF 16V M
C1320	NCB21HK-103X	C CAP.	0.01µF 50V K
C1321-23	NCB21EK-104X	C CAP.	0.1µF 25V K
C1324-26	QETN1HM-105Z	E CAP.	1µF 50V M
C1327	QETN1HM-475Z	E CAP.	4.7µF 50V M
C1328	QETN1CM-107Z	E CAP.	100µF 16V M
C1329	QETN1EM-476Z	E CAP.	47µF 25V M
C1331	QETN1HM-105Z	E CAP.	1µF 50V M
C1332	NCB21HK-103X	C CAP.	0.01µF 50V K
C1333	NCB21EK-104X	C CAP.	0.1µF 25V K
C1401	QETN1HM-105Z	E CAP.	1µF 50V M
C1403-05	NCB21HK-103X	C CAP.	0.01µF 50V K
C1406	QFV71HJ-184Z	MF CAP.	0.18µF 50V J
C1407	QFV71HJ-824Z	MF CAP.	0.82µF 50V J
C1408	NCB21HK-153X	C CAP.	0.015µF 50V K
C1501	QETN1CM-107Z	E CAP.	100µF 16V M
C1502-04	NCB21HK-103X	C CAP.	0.01µF 50V K
C1505	NCB21HK-332X	C CAP.	3300pF 50V K
C1506	QETN1HM-335Z	E CAP.	3.3µF 50V M
C1507	NCB21HK-103X	C CAP.	0.01µF 50V K
C1508	QETN1CM-108Z	E CAP.	1000µF 16V M
C1509	NCB21HK-823X	CHIP CAP.	0.082µF 50V K
C1510-11	NCB21HK-103X	C CAP.	0.01µF 50V K
C1512	QTMN1HM-105Z	E CAP.	0.1µF 50V M
C1513	QETN1CM-228	E CAP.	2200µF 16V M
C1514	NCB21HK-103X	C CAP.	0.01µF 50V K
C1515	QFV71HJ-394Z	MF CAP.	0.39µF 50V J
C1516	NCB21HK-103X	C CAP.	0.01µF 50V K
C1571	NCB21HK-103X	C CAP.	0.01µF 50V K
C1605	QETN1HM-106Z	E CAP.	10µF 50V M
C1606	QETN1EM-227Z	E CAP.	220µF 25V M
C1622-23	QETN1CM-227Z	E CAP.	220µF 16V M
C1624	QETN1EM-476Z	E CAP.	47µF 25V M
C1626	QENC1EM-107Z	BP E CAP.	100µF 25V M
C1627	QETN1EM-228	E CAP.	2200µF 25V M
C1629	QENC1EM-107Z	BP E CAP.	100µF 25V M
C1631	QETN1EM-476Z	E CAP.	47µF 25V M
C1632	NCS21HJ-221X	C CAP.	220pF 50V J
C1633-34	QFV71HJ-104Z	MF CAP.	0.1µF 50V J
C1635-36	QETN1EM-108Z	E CAP.	1000µF 25V M
C1637-38	QFV71HJ-104Z	MF CAP.	0.1µF 50V J
C1639	QETN1HM-106Z	E CAP.	10µF 50V M
C1640	NCS21HJ-221X	C CAP.	220pF 50V J
C1641	QETN1HM-226Z	E CAP.	22µF 50V M
C1668	NCB21EK-104X	C CAP.	0.1µF 25V K
C1671	QETN1CM-107Z	E CAP.	100µF 16V M
C1672	NCB21EK-104X	C CAP.	0.1µF 25V K
C1701	NCF21CZ-105X	C CAP.	1µF 16V Z
C1703	QETN1EM-476Z	E CAP.	47µF 25V M
C1704	NCB21EK-104X	C CAP.	0.1µF 25V K
C1705	QETN1AM-107Z	E CAP.	100µF 10V M
C1706	NCB21EK-104X	C CAP.	0.1µF 25V K
C1707	QETN1HM-474Z	E CAP.	0.47µF 50V M
C1708	QETN1EM-476Z	E CAP.	47µF 25V M
C1709-10	NDC21HJ-9R0X	C CAP.	9.0pF 50V J
C1711	NCB21EK-104X	C CAP.	0.1µF 25V K
C1712	NDC21HJ-151X	C CAP.	150pF 50V J
C1716-17	QETN1HM-105Z	E CAP.	1µF 50V M

Symbol No.	Part No.	Part Name	Description
<b>CAPACITOR</b>			
C1718	NCB21HK-333X	C CAP.	0.033µF 50V K
C1725	NCB21HK-102X	C CAP.	1000pF 50V K
C1871	NCB21EK-104X	C CAP.	0.1µF 25V K
C1872	NCB21HK-223X	C CAP.	0.022µF 50V K
C1873	NDC21HJ-221X	C CAP.	220pF 50V J
C1874-75	NDC21HJ-150X	C CAP.	15pF 50V J
C1876	NCB21HK-102X	C CAP.	1000pF 50V K
C1877	NCB21EK-104X	C CAP.	0.1µF 25V K
C1878	NCB21HK-102X	C CAP.	1000pF 50V K
C1879	NDC21HJ-221X	C CAP.	220pF 50V J
C1880	QETN1AM-477Z	E CAP.	470µF 10V M
C1881	NCB21EK-104X	C CAP.	0.1µF 25V K
C1882	QETN1EM-476Z	E CAP.	47µF 25V M
C1883	NCB21HK-103X	C CAP.	0.01µF 50V K
C1884-85	NCB21EK-104X	C CAP.	0.1µF 25V K
C1886	NCB21HK-103X	C CAP.	0.01µF 50V K
C1887-89	QETN1HM-106Z	E CAP.	10µF 50V M
△ C1901	QFZ9040-474	MF CAP.	0.47µFAC275V M
<b>COIL</b>			
L1001	QQL244K-5R6Z	PEAKING COIL	5.6µH
L1002	QQL244K-270Z	PEAKING COIL	27µH
L1301-02	QQL244K-4R7Z	PEAKING COIL	4.7µH
L1305	QQL244K-4R7Z	PEAKING COIL	4.7µH
L1501	QQL244J-151Z	PEAKING COIL	150µH
L1701	QQL244K-4R7Z	PEAKING COIL	4.7µH
L1702	QQL244K-3R9Z	PEAKING COIL	
L1871	QQL244K-4R7Z	PEAKING COIL	4.7µH
<b>DIODE</b>			
D1301	MA3051/M/-X	ZENER DIODE	
D1302-04	MA111-X	SI DIODE	
D1503	RB100A-T2	SI DIODE	
D1602	MA111-X	SI DIODE	
D1608	MA111-X	SI DIODE	
D1612	MA111-X	SI DIODE	
D1624-25	MA111-X	SI DIODE	
D1701	MA3068/M/-X	ZENER DIODE	
D1702	MA111-X	SI DIODE	
D1704	MA111-X	SI DIODE	
D1705	MA3036-X	ZENER DIODE	
D1706-08	MA111-X	SI DIODE	
D1710	MA111-X	SI DIODE	
<b>TRANSISTOR</b>			
Q1301-02	2SA1037AK/QR/-X	SI TRANSISTOR	
Q1311	DTC124EKA-X	DIGI TRANSISTOR	
Q1312	2SA1037AK/QR/-X	SI TRANSISTOR	
Q1401	DTC124EKA-X	DIGI TRANSISTOR	
Q1402	2SC2412K/QR/-X	SI TRANSISTOR	
Q1604	2SA1037AK/QR/-X	SI TRANSISTOR	
Q1609	2SA1037AK/QR/-X	SI TRANSISTOR	
Q1610	DTC323TK-X	DIGI TRANSISTOR	
Q1612	DTC323TK-X	DIGI TRANSISTOR	
Q1701-04	2SC2412K/QR/-X	SI TRANSISTOR	
Q1705	2SA1037AK/QR/-X	SI TRANSISTOR	
Q1708	2SA1037AK/QR/-X	SI TRANSISTOR	
Q1709-10	2SC2412K/QR/-X	SI TRANSISTOR	
Q1871	2SA1037AK/QR/-X	SI TRANSISTOR	
Q1872	2SC2412K/QR/-X	SI TRANSISTOR	
<b>IC</b>			
IC1301	TB1227CN	I C	
IC1302	TC4053BP/N/	I. C. (DIGI-MOS)	
IC1501	AN5441SA-W	I C	
IC1601	LA4446	I. C. (MONO-ANA)	
IC1607	BA05T	I. C. (MONO-ANA)	
IC1701	M37280MK-2075P	I C	
IC1702	AT24C16-24WTS	I. C.	(SERVICE)
IC1703	L78LR05E-MA	I. C. (MONO-ANA)	
IC1871	ET417	I. C. (M)	
IC1872	ET206	I. C. (M)	

**AV SEL. P.W. BOARD ASS'Y (SJK0S913A-U2)**

Symbol No.	Part No.	Part Name	Description
<b>OTHERS</b>			
	CEM6002-001Z	FUSE CLIP	
	QGF1220C2-19	FFC/FPC CONNECTO	
△ F1901	QMF51D2-3R15J1	FUSE	3.15A
K1001	QQR0621-002Z	BEADS CORE	
K1004	QQR0621-002Z	BEADS CORE	
K1307	QQR0621-002Z	BEADS CORE	
K1872	QQL244K-3R3Z	PEAKING COIL	
LC1301	CE42142-222Z	EMI FILTER	
△ LF1901	QQR1095-001	LINE FILTER	
△ S1901	QSW0824-001	PUSH SWITCH	POWER SW
TU1001	QAU0189-002	TUNER	
X1301	QAX0305-001Z	CRYSTAL	
X1701	CST8.00MTW	CER. RESONATOR	
X1871	CE41257-001Z	CRYSTAL	

**POWER & DEF. P.W. BOARD ASS'Y (SJK-2513A-U2)**

Refer to PARTS LIST in page 60 for this P.W. board.

**CRT SOCKET P.W. BOARD ASS'Y (SJK-3513A-U2)**

Refer to PARTS LIST in page 62 for this P.W. board.

**FRONT CONTROL P.W. BOARD ASS'Y (SJK-8513A-U2)**

Refer to PARTS LIST in page 62 for this P.W. board.

Symbol No.	Part No.	Part Name	Description
<b>RESISTOR</b>			
R0101-08	NRSA02J-750X	MG R	75Ω 1/10W J
R0110	NRSA02J-823X	MG R	82kΩ 1/10W J
R0112	NRSA02J-823X	MG R	82kΩ 1/10W J
R0113	NRSA02J-750X	MG R	75Ω 1/10W J
R0114	NRSA02J-473X	MG R	47kΩ 1/10W J
R0115-16	NRSA02J-223X	MG R	22kΩ 1/10W J
R0117-18	NRSA02J-823X	MG R	82kΩ 1/10W J
R0119-20	NRSA02J-391X	MG R	390Ω 1/10W J
R0123	NRSA02J-104X	MG R	100kΩ 1/10W J
R0124-25	NRSA02J-101X	MG R	100Ω 1/10W J
R0126	NRSA02J-333X	MG R	33kΩ 1/10W J
R0127	NRSA02J-101X	MG R	100Ω 1/10W J
R0128	NRSA02J-103X	MG R	10kΩ 1/10W J
R0129	NRSA02J-823X	MG R	82kΩ 1/10W J
R0130	NRSA02J-473X	MG R	47kΩ 1/10W J
R0131	NRSA02J-273X	MG R	27kΩ 1/10W J
R0132	NRSA02J-153X	MG R	15kΩ 1/10W J
R0133	NRSA02J-222X	MG R	2.2kΩ 1/10W J
R0134	NRSA02J-333X	MG R	33kΩ 1/10W J
R0135	NRSA02J-222X	MG R	2.2kΩ 1/10W J
R0136-37	NRSA02J-333X	MG R	33kΩ 1/10W J
R0138	NRSA02J-473X	MG R	47kΩ 1/10W J
R0139	NRSA02J-823X	MG R	82kΩ 1/10W J
R0140	NRSA02J-103X	MG R	10kΩ 1/10W J
R0141	NRSA02J-153X	MG R	15kΩ 1/10W J
R0142	NRSA02J-223X	MG R	22kΩ 1/10W J
R0143	NRSA02J-473X	MG R	47kΩ 1/10W J
R0144	NRSA02J-273X	MG R	27kΩ 1/10W J
R0146	NRSA02J-391X	MG R	390Ω 1/10W J
R0148	NRSA02J-391X	MG R	390Ω 1/10W J
R0151	NRSA02J-104X	MG R	100kΩ 1/10W J
R0152	NRSA02J-222X	MG R	2.2kΩ 1/10W J
R0153	NRSA02J-333X	MG R	33kΩ 1/10W J
R0154	NRSA02J-222X	MG R	2.2kΩ 1/10W J
R0155	NRSA02J-333X	MG R	33kΩ 1/10W J
R0156-69	NRSA02J-101X	MG R	100Ω 1/10W J
R0170	NRSA02J-333X	MG R	33kΩ 1/10W J
R0171	NRSA02J-222X	MG R	2.2kΩ 1/10W J
R0172	NRSA02J-473X	MG R	47kΩ 1/10W J
R0173	NRSA02J-823X	MG R	82kΩ 1/10W J
R0174	NRSA02J-103X	MG R	10kΩ 1/10W J
R0175	NRSA02J-153X	MG R	15kΩ 1/10W J
R0176	NRSA02J-473X	MG R	47kΩ 1/10W J
R0177	NRSA02J-273X	MG R	27kΩ 1/10W J
R0180-83	NRSA02J-101X	MG R	100Ω 1/10W J
R0184	NRSA02J-333X	MG R	33kΩ 1/10W J
R0185	NRSA02J-222X	MG R	2.2kΩ 1/10W J
R0186	NRSA02J-333X	MG R	33kΩ 1/10W J
R0188	NRSA02J-101X	MG R	100Ω 1/10W J
R0189-90	NRSA02J-221X	MG R	220Ω 1/10W J
R0191-92	NRSA02J-562X	MG R	5.6kΩ 1/10W J
R0193-94	NRSA02J-102X	MG R	1kΩ 1/10W J
R0195	QRG01GJ-101	OM R	100Ω 1W J
R0197	QRK126J-181X	C R	180Ω 1/2W J
R0198	NRSA02J-750X	MG R	75Ω 1/10W J
R0199	NRSA02J-101X	MG R	100Ω 1/10W J
R0202	QRK126J-151X	C R	150Ω 1/2W J
R0203-05	NRSA02J-750X	MG R	75Ω 1/10W J
R0207	NRSA02J-222X	MG R	2.2kΩ 1/10W J
R0208	NRSA02J-333X	MG R	33kΩ 1/10W J
R0209	NRSA02J-222X	MG R	2.2kΩ 1/10W J
R0210	NRSA02J-333X	MG R	33kΩ 1/10W J
R0211-12	NRSA02J-103X	MG R	10kΩ 1/10W J
R0603	NRSA02J-102X	MG R	1kΩ 1/10W J
R0606	QRG01GJ-181	OM R	180Ω 1W J
R0607	NRSA02J-123X	MG R	12kΩ 1/10W J
R0608	NRSA02J-181X	MG R	180Ω 1/10W J
R0609	NRSA02J-123X	MG R	12kΩ 1/10W J
R0610	NRSA02J-122X	MG R	1.2kΩ 1/10W J
R0614	NRSA02J-103X	MG R	10kΩ 1/10W J
R0615	NRSA02J-101X	MG R	100Ω 1/10W J
R0617	NRSA02J-102X	MG R	1kΩ 1/10W J

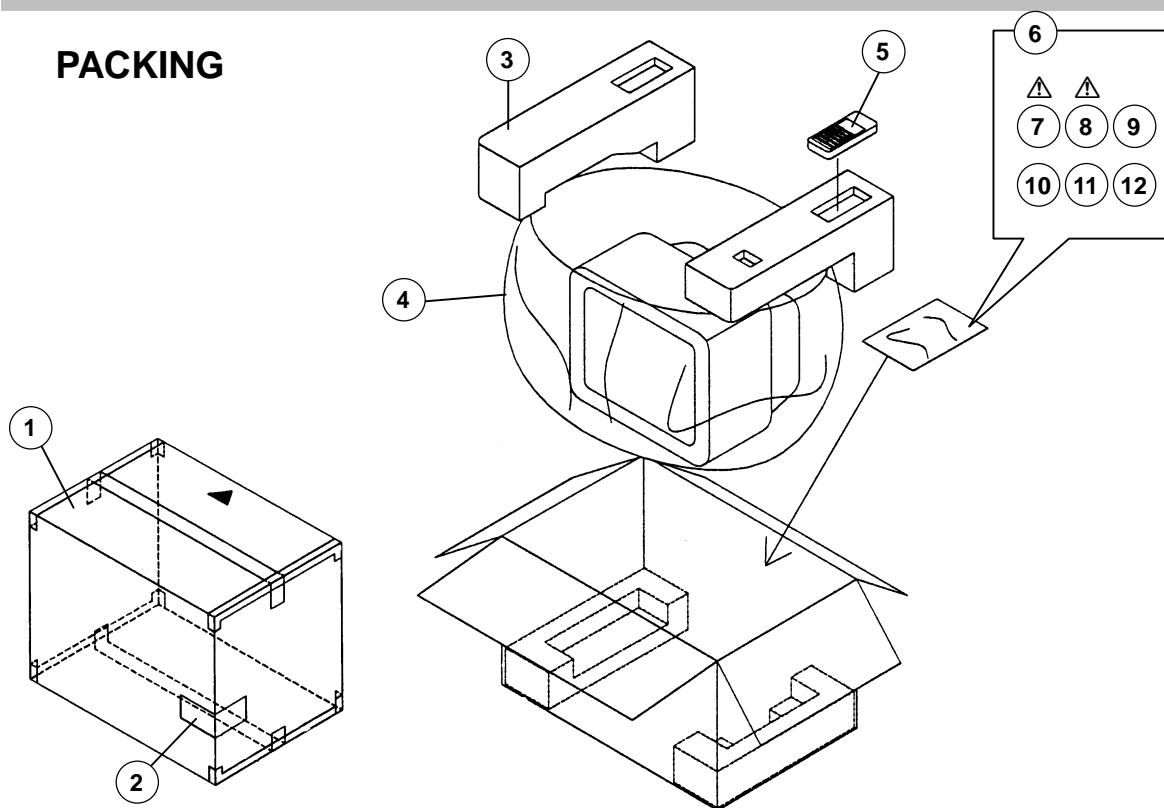
AV24WT5EKS

△ Symbol No.	Part No.	Part Name	Description
<b>RESISTOR</b>			
R0618	NRSA02J-332X	MG R	3.3kΩ 1/10W J
R0620	NRSA02J-333X	MG R	33kΩ 1/10W J
R0622	NRSA02J-103X	MG R	10kΩ 1/10W J
R0623	NRSA02J-102X	MG R	1kΩ 1/10W J
R0628	NRSA02J-0R0X	MG R	0.0Ω 1/10W J
R0629-31	NRSA02J-101X	MG R	100Ω 1/10W J
R0632	NRSA02J-332X	MG R	3.3kΩ 1/10W J
R0633	NRSA02J-221X	MG R	220Ω 1/10W J
R0634-35	NRSA02J-332X	MG R	3.3kΩ 1/10W J
R0647-48	NRSA02J-101X	MG R	100Ω 1/10W J
R0651	NRSA02J-122X	MG R	1.2kΩ 1/10W J
<b>CAPACITOR</b>			
C0101	NDC21HJ-151X	C CAP.	150pF 50V J
C0102	QETN1CM-477Z	E CAP.	470μF 16V M
C0103-05	QETN1HM-106Z	E CAP.	10μF 50V M
C0106	NCB21HK-472X	C CAP.	4700pF 50V K
C0107	NCB21HK-152X	C CAP.	1500pF 50V K
C0108	NCB21HK-472X	C CAP.	4700pF 50V K
C0109	NCB21HK-152X	C CAP.	1500pF 50V K
C0110	QETN1CM-477Z	E CAP.	470μF 16V M
C0111-12	NCB21HK-472X	C CAP.	4700pF 50V K
C0113	NDC21HJ-151X	C CAP.	150pF 50V J
C0114-15	NCB21HK-472X	C CAP.	4700pF 50V K
C0116-17	QETN1HM-106Z	E CAP.	10μF 50V M
C0118	NCB21HK-102X	C CAP.	1000pF 50V K
C0119	QETN1HM-105Z	E CAP.	1μF 50V M
C0120	QETN1HM-106Z	E CAP.	10μF 50V M
C0121	QETN1HM-105Z	E CAP.	1μF 50V M
C0122	NCB21HK-103X	C CAP.	0.01μF 50V K
C0123	NCB21HK-102X	C CAP.	1000pF 50V K
C0124-25	QETN1HM-106Z	E CAP.	10μF 50V M
C0126	QETN1HM-105Z	E CAP.	1μF 50V M
C0127	QETN1HM-106Z	E CAP.	10μF 50V M
C0128	QETN1HM-105Z	E CAP.	1μF 50V M
C0129	QETN1HM-106Z	E CAP.	10μF 50V M
C0130	QETN1HM-105Z	E CAP.	1μF 50V M
C0131	NCB21HK-102X	C CAP.	1000pF 50V K
C0132	QETN1HM-105Z	E CAP.	1μF 50V M
C0133	NCB21HK-103X	C CAP.	0.01μF 50V K
C0136	QETN1HM-106Z	E CAP.	10μF 50V M
C0137	QENC1EM-106Z	BP E CAP.	10μF 25V M
C0139	QENC1EM-106Z	BP E CAP.	10μF 25V M
C0140	QETN1CM-107Z	E CAP.	100μF 16V M
C0141	NCB21HK-103X	C CAP.	0.01μF 50V K
C0142	QENC1HM-105Z	BP E CAP.	1μF 50V M
C0143	QENC1EM-106Z	BP E CAP.	10μF 25V M
C0144	QENC1HM-105Z	BP E CAP.	1μF 50V M
C0145-46	QETN1CM-107Z	E CAP.	100μF 16V M
C0147	QETN1CM-477Z	E CAP.	470μF 16V M
C0149	NCB21HK-103X	C CAP.	0.01μF 50V K
C0150-51	QETN1HM-106Z	E CAP.	10μF 50V M
C0152-53	QETN1HM-105Z	E CAP.	1μF 50V M
C0154-55	NDC21HJ-680X	C CAP.	68pF 50V J
C0157-58	NDC21HJ-680X	C CAP.	68pF 50V J
C0159	NDC21HJ-561X	C CAP.	560pF 50V J
C0160	NDC21HJ-102X	C CAP.	1000pF 50V J
C0161	NDC21HJ-680X	C CAP.	68pF 50V J
C0610	NDC21HJ-821X	C CAP.	820pF 50V J
C0611-12	NDC21HJ-470X	C CAP.	47pF 50V J
C0614	NDC21HJ-180X	C CAP.	18pF 50V J
C0616	QETN1CM-107Z	E CAP.	100μF 16V M
C0617	NCB21EK-104X	C CAP.	0.1μF 25V K
C0618	QETN1HM-106Z	E CAP.	10μF 50V M
C0619	NCB21EK-104X	C CAP.	0.1μF 25V K
C0620	QETN1HM-106Z	E CAP.	10μF 50V M
C0621-22	QENC1HM-105Z	BP E CAP.	1μF 50V M
C0623	NCB21EK-104X	C CAP.	0.1μF 25V K
C0624	QETN1HM-106Z	E CAP.	10μF 50V M
C0625	QETN1CM-227Z	E CAP.	220μF 16V M
C0626	NCB21HK-153X	C CAP.	0.015μF 50V K
C0627	QENC1HM-105Z	BP E CAP.	1μF 50V M
C0628	NCB21HK-223X	C CAP.	0.022μF 50V K

△ Symbol No.	Part No.	Part Name	Description
<b>CAPACITOR</b>			
C0629	QETN1HM-106Z	E CAP.	10μF 50V M
C0630-31	NCB21HK-102X	C CAP.	1000pF 50V K
C0632	NCB21EK-104X	C CAP.	0.1μF 25V K
C0633	QETN1HM-106Z	E CAP.	10μF 50V M
C0634-35	NCB21HK-103X	C CAP.	0.01μF 50V K
C0636	NDC21HJ-2R0X	C CAP.	2.0pF 50V J
C0637	NCB21HK-222X	C CAP.	2200pF 50V K
C0638	QETN1CM-336Z	E CAP.	33μF 16V M
C0639	NCB21HK-153X	C CAP.	0.015μF 50V K
C0640	NCB21HK-223X	C CAP.	0.022μF 50V K
C0641	NCB21HK-222X	C CAP.	2200pF 50V K
C0642	NDC21HJ-2R0X	C CAP.	2.0pF 50V J
C0643	QENC1HM-105Z	BP E CAP.	1μF 50V M
C0645	NCB21HK-103X	C CAP.	0.01μF 50V K
C0646	NCB21EK-104X	C CAP.	0.1μF 25V K
C0647	QETN1CM-107Z	E CAP.	100μF 16V M
C0648	NCB21EK-104X	C CAP.	0.1μF 25V K
C0659-60	QENC1HM-105Z	BP E CAP.	1μF 50V M
C0677-78	NCB21HK-102X	C CAP.	1000pF 50V K
<b>COIL</b>			
L0114	QQR0716-001Z	LEAD CORE	
L0601	QQL244K-220Z	PEAKING COIL	22μH
L0602	QQL244K-180Z	PEAKING COIL	18μH
L0604	QQL244K-100Z	PEAKING COIL	10μH
L0605	QQL244K-4R7Z	PEAKING COIL	4.7μH
<b>DIODE</b>			
D0101-13	MA3120/M/-X	ZENER DIODE	
D0601	RD8.2E/B2/-T2	ZENER DIODE	
<b>TRANSISTOR</b>			
Q0101	DTC323TK-X	DIGI. TRANSISTOR	
Q0102	2SA1037AK/QR/-X	SI. TRANSISTOR	
Q0103	DTC323TK-X	DIGI. TRANSISTOR	
Q0104-07	2SC2412K/QR/-X	SI. TRANSISTOR	
Q0108	2SA1037AK/QR/-X	SI. TRANSISTOR	
Q0109-10	DTC323TK-X	DIGI. TRANSISTOR	
Q0111-12	2SC2412K/QR/-X	SI. TRANSISTOR	
Q0116	2SA933AS/QR/-T	SI. TRANSISTOR	
Q0118	2SC1740S/QR/-T	SI. TRANSISTOR	
Q0119-20	2SC2412K/QR/-X	SI. TRANSISTOR	
Q0601	2SC2412K/QR/-X	SI. TRANSISTOR	
<b>IC</b>			
IC0101	CXA2089Q-X	I C	
IC0602	BA4558F-X	I. C. (MONO-ANA)	
IC0603	MSP3415DQGB3GHX	IC	
<b>OTHERS</b>			
J0001	QN20465-001	PIN CONNECTOR	
J0002	QN20463-001	PIN CONNECTOR	
K0101-04	CE42681-001Y	BEADS CORE	
K0601	QQR0621-002Z	BEADS CORE	
LC0601-02	CE42482-103Y	EMI FILTER	
X0601	CE42546-001Z	CRYSTAL	

## AV24WT5EPS / AV24WT5EIS / AV24WT5EKS

### PACKING



### PACKING PARTS LIST

△ Ref.No. Part No. Part Name Description

#### AV24WT5EPS

1	AEM1002-C50-E	EURO BOX	
2	AEM1052-027-E	EURO LABEL	
3	CP11618-00B-E	CUSHION ASSY	4pcs in 1set
4	AEM1047-004-E	POLY BAG	
5	RM-C54-1C	REMOCON UNIT	
6	AEM3021-002-E	POLY BAG	
△ 7	LCT0897-001A-U	INST BOOK	
△ 8	LCT0898-001A-U	INST BOOK	
9	BT-54013-1E	WARRANTY CARD	
10	AEM1060-001-E	X-RAY CARD	
11	2824WT5-HSAEI	S.DIAGRAM	(SERVICE)

#### AV24WT5EIS

1	AEM1002-C50-E	EURO BOX	
2	AEM1052-025-E	EURO LABEL	
3	CP11618-00B-E	CUSHION ASSY	4pcs in 1set
4	AEM1047-004-E	POLY BAG	
5	RM-C55-1C	REMOCON UNIT	
6	AEM3021-002-E	POLY BAG	
△ 7	LCT0900-001A-U	INST BOOK	
9	BT-54013-1E	WARRANTY CARD	

#### AV24WT5EKS

1	AEM1002-C50-E	EURO BOX	
2	AEM1052-026-E	EURO LABEL	
3	CP11618-00B-E	CUSHION ASSY	4pcs in 1set
4	AEM1047-004-E	POLY BAG	
5	RM-C55-1C	REMOCON UNIT	
6	AEM3021-002-E	POLY BAG	
△ 7	LCT0899-001A-U	INST BOOK	
9	BT-54013-1E	WARRANTY CARD	
12	AEM3148-001-E	REG SHEET	